



ALTAIR® Pro Single Gas Detector Operating Manual

Detector de un sólo gas ALTAIR® Pro Manual de Operación

Détecteur mono-gaz ALTAIR® Pro Mode d'emploi



In North America, to contact your nearest stocking location, dial toll-free 1-800-MSA-2222

To contact MSA International, dial 1-412-967-3354 or 1-800-MSA-7777

© MINE SAFETY APPLIANCES COMPANY 2007 - All Rights Reserved

This manual is available on the internet at www.msanet.com

Para comunicarse con el lugar de abastecimiento más cercano en América del Norte, llame gratis al 1-800-MSA-2222. Para comunicarse con MSA International, llame al 1-412-967-3354 ó 1-800-MSA-7777

© MINE SAFETY APPLIANCES COMPANY 2007. Se reservan todos los derechos.

Este manual puede obtenerse en la Internet, en el sitio: www.msanet.com.

En Amérique du Nord, pour contacter notre dépôt le plus proche, composez le numéro gratuit 1-800-MSA-2222 pour contacter MSA International, composez le 1-412-967-3354 ou 1-800-MSA-7777

© MINE SAFETY APPLIANCES COMPANY 2007 - Tous droits réservés.

Ce manuel est disponible sur l'Internet au www.msanet.com.

Manufactured by/Fabricado por/Fabriqué par

MSA NORTH AMERICA

P.O. Box 427, Pittsburgh, Pennsylvania 15230

(L) Rev 2

IMZ001-034

10074734



ALTAIR® Pro Single Gas Detector

Operating Manual



In North America, to contact your nearest stocking location, dial toll-free 1-800-MSA-2222
To contact MSA International, dial 1-412-967-3354 or 1-800-MSA-7777

© MINE SAFETY APPLIANCES COMPANY 2007 - All Rights Reserved

This manual is available on the internet at www.msanet.com

Manufactured by
MSA NORTH AMERICA

P.O. Box 427, Pittsburgh, Pennsylvania 15230

(L) Rev 2

IMZ001-034

10074734

 **WARNING**

THIS MANUAL MUST BE CAREFULLY READ BY ALL INDIVIDUALS WHO HAVE OR WILL HAVE THE RESPONSIBILITY FOR USING OR SERVICING THE PRODUCT. Like any piece of complex equipment, this instrument will perform as designed only if it is used and serviced in accordance with the manufacturer's instructions. OTHERWISE, IT COULD FAIL TO PERFORM AS DESIGNED AND PERSONS WHO RELY ON THIS PRODUCT FOR THEIR SAFETY COULD SUSTAIN SEVERE PERSONAL INJURY OR LOSS OF LIFE.

The warranties made by Mine Safety Appliances Company with respect to the product are voided if the product is not used and serviced in accordance with the instructions in this manual. Please protect yourself and others by following them. We encourage our customers to write or call regarding this equipment prior to use or for any additional information relative to use or repairs.

Table of Contents

Chapter 1, Instrument Safety and Certifications1-1

Certifications	1-2
Figure 2-1. ALTAIR Pro Overview	2-1
Figure 2-2. ALTAIR Pro Display	2-1

Chapter 2, Using the ALTAIR Pro Single Gas Detector .2-1

Changing Alarm Setpoints	2-2
To Change Alarm Setpoints Manually:	2-2
Figure 2-3. ALTAIR Pro Setup	2-4
Turning ON the ALTAIR Pro Single Gas Detector	2-5
Figure 2-4. ALTAIR Pro Turn-On Flow Chart	2-7
Battery Life Indicator (See FIGURE 2-2)	2-8
Battery Warning	2-8
▲ CAUTION	2-8
Confidence Indicator (see Figure 2-2)	2-9
Backlight	2-9
ALTAIR Pro Alarms	2-9
Toxic Gas Measurements (see figure 2-1)	2-9
▲ WARNING	2-9
Oxygen Measurements	2-11
▲ WARNING	2-11
Accessing the Instrument Pages	2-12
For All Versions (Excluding the Steel Mill Version):	2-12
Steel Mill Version Only:	2-14
Turning OFF the ALTAIR Pro Detector	2-15
Figure 2-5. Accessing ALTAIR Pro Pages (Does not apply to the Steel Mill Version)	2-16
Data Logging	2-17
Session Log	2-17
Periodic Log	2-17

**Chapter 3,
ALTAIR Pro Function Checks3-1**

Confidence and Heartbeat Indicator3-1
Alarm Test3-1
Bump Test3-1
Figure 3-1. Bump Test Flow Chart3-2
Table 3-1. Factory Set Default
Calibration/Bump Test Values3-3
▲ WARNING4-1

**Chapter 4,
Calibrating the ALTAIR Pro
Single Gas Detector4-1**

Calibrating the Toxic Gas Instruments4-2
▲ CAUTION4-2
▲ WARNING4-3
Figure 4-1. Calibration (Toxics) Flow Chart4-4
Calibrating an Oxygen Instrument4-5
Figure 4-2 Calibration (Oxygen) Flow Chart4-6

**Chapter 5,
Warranty, Maintenance, & Troubleshooting .5-1**

MSA Portable Instrument Warranty5-1
Troubleshooting5-2
▲ WARNING5-2
Table 5-1. Troubleshooting Guidelines5-3
Repair Procedures5-4
Replacing the ALTAIR Pro Battery5-4
Replacing the ALTAIR Pro Sensor
(Except Remote O₂ Version)5-4
▲ CAUTION5-4
▲ CAUTION5-4
▲ CAUTION5-5
▲ CAUTION5-5
▲ WARNING5-5
Figure 5-1. Sensor and Battery Replacement
(Except Remote O₂ Version)5-5
Replacing the ALTAIR Pro Remote O₂ Sensor5-6
▲ CAUTION5-6
▲ WARNING5-6

**Chapter 6,
Performance Specifications6-1**

Table 6-1. Certifications6-1

Table 6-2. Instrument Specifications6-2

Table 6-3. Oxygen

 Typical Performance Specifications6-3

Table 6-4. Toxic Performance Specifications6-3

Table 6-5. Data Logging Specifications6-4

**Chapter 7,
Replacement and Accessory Parts7-1**

Table 7-1. Replacement Parts List7-1

Chapter 1, Instrument Safety and Certifications

The ALTAIR Pro Single Gas Detector is:

- For use by trained, qualified personnel
- Designed to be used when performing a hazard assessment to determine the appropriate gas monitoring needed for a workplace.
- To be used when performing a hazard assessment to:
 - Assess potential worker exposure to Specific toxic gases for which a sensor is installed
 - Oxygen-deficient or oxygen-rich atmospheres for oxygen versions only

NOTE: Although the ALTAIR Pro O₂ unit will detect up to 25% oxygen, all ALTAIR Pro versions are not certified or classified for use in atmospheres containing more than 21.0% oxygen.

WARNING

- **Read and follow all instructions carefully.**
- **Do not use this detector to sample the instrument's specified gas in gases other than air.**
- **Perform an alarm function check and a bump test before each day's use. If the instrument fails either check, the instrument must be taken out of service.**
- **Recheck response and alarm function if the instrument is subjected to physical shock.**
- **Do not alter this instrument or make repairs beyond those specified in this manual. Only MSA-authorized personnel may repair this unit; otherwise, damage may result.**
- **This unit contains a lithium battery; dispose of according to local regulations.**
- **Wait for an accurate reading; response times vary, based on the gas being detected.**
- **Use only to detect a gas for which a sensor is installed.**
- **Do not block sensor.**
- **Leave area immediately if a gas alarm condition is reached.**

- Do not use pressurized air to clean the sensor or alarm holes.
- All instrument readings and information must be interpreted by someone trained and qualified in interpreting instrument readings in relation to the specific environment, industrial practice and exposure limitations.
- ALTAIR Pro Detector's gas sensors may have a cross-sensitivity response to common interference gases other than the gas it is designed to detect. In some cases, this cross-sensitivity may be positive, producing a reading higher than actual. In other cases, it may be negative, giving lower readings or even negative. Contact MSA for further details if cross-sensitivity may be an issue.
- Special requirements for ALTAIR PRO O₂-R Remote Oxygen Detector:
 - Operate this instrument only in ambient temperatures ranging from 0°C to 40°C (32°F to 104°F).
 - If the instrument is taken into an environment where the ambient temperature is 15°C (59°F) or more, higher or lower, than its previous location, do not use the instrument for a period of 40 minutes to allow the sensor to adjust to the new conditions. After this 40-minute period, perform a Fresh Air Set-up (FAS) to re-zero the sensor. Perform the FAS in fresh air only.
 - Quick changes in barometric pressure result in an offset in the sensor reading for a few minutes. If this occurs, do not use the instrument for a period of five minutes; then, perform a Fresh Air Set-up (FAS) to re-zero the sensor. Perform the FAS in fresh air only.
- Conditions for Safe Use:
 - When it is necessary to replace the battery, use only a Lithium battery listed in TABLE 6-2.
 - Use only the specified MSA cable connecting the remote Oxygen sensor.
 - The maximum length of the remote sensor connecting cable must not exceed 3.3 meters (10 feet).

**INCORRECT USE OR FAILURE TO FOLLOW THIS WARNING
CAN RESULT IN SERIOUS PERSONAL INJURY OR DEATH.**

Certifications

The ALTAIR Pro Single Gas Detector meets applicable industry and government standards as indicated on the instrument Approval label and specified in TABLE 6-1.

Chapter 2, Using the ALTAIR Pro Single Gas Detector

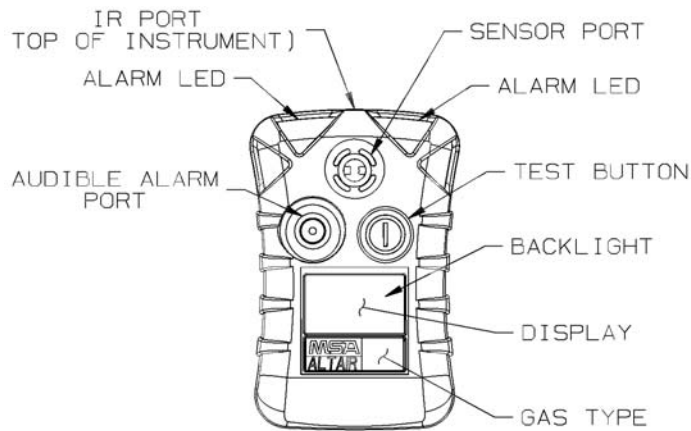


Figure 2-1. ALTAIR Pro Overview

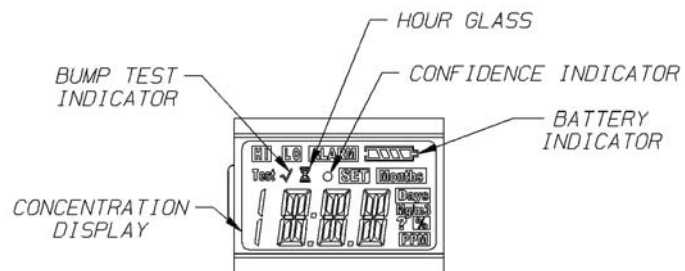


Figure 2-2. ALTAIR Pro Display

Changing Alarm Setpoints

NOTE: Alarm setpoints can only be changed manually during instrument setup, which can be entered after battery attachment or reattachment. See FIGURE 2-3 for details. Alarm setpoints can also be changed electronically using the the MSA FiveStar® LINK® Software. The latest software version can be downloaded from the MSA webpage (www.msanet.com).

To Change Alarm Setpoints Manually:

1. Ensure instrument is turned OFF before proceeding.
2. Remove and re-attach battery.
3. Turn instrument ON.

The unit must be turned ON before it can be used to warn the user of a potentially hazardous condition.

- a. To turn ON the personal protection instrument, press and hold the "TEST" button for three seconds.
 - "ON" displays during this time period.

NOTE: The Steel Mill version cannot be turned OFF without removing the battery.

4. "ALARM", "SET", "?" displays for three seconds.
5. To change the alarm setpoints manually, press the button once while "ALARM", "SET", "?" displays.

NOTE: If the TEST button is not pressed, the instrument turns ON, as usual, after three seconds.

6. The Software Version displays for three seconds
7. The gas type displays for three seconds.
["CO", "CO+" (steel mill version), "H₂S", or "O₂", etc.].
8. Alarm Setpoints are displayed:

- **Low Alarm Setpoint** for three seconds
 - LO and ALARM icons turn ON
 - a. To change the low alarm setpoint, press the TEST button when "LO" "ALARM" displays:
 - "LO" "ALARM" "SET" "?" displays.
 - b. Press the TEST button in rapid succession to increment the *low* alarm value.

- The TEST button can be held down to increment by larger amounts.
- c. Once the correct value displays, release the TEST button and wait three seconds to continue.
- **High Alarm Setpoint** for three seconds
 - HI and ALARM icons turn-ON
 - a. To change the high alarm setpoint, press the TEST button when "HI" "ALARM" displays:
 - "HI" "ALARM" "SET" "?" displays
 - b. Press the TEST button in rapid succession to increment the *high* alarm value.
 - The TEST button can be held down to increment by larger amounts.
 - c. Once the correct value displays, release the TEST button and wait three seconds to continue.
- **Short Term Exposure Limits**, "STL", displays; then, the STEL setpoint displays for three seconds.
 - a. To change the STEL setpoint, press the "TEST" button when the setpoint displays.
 - "ALARM" "SET", "?" displays.
 - b. Press the TEST button in rapid succession to increment the STEL alarm value.
 - The TEST button can be held down to increment the STEL alarm value.
 - c. Once the desired value displays, release the TEST button and wait three seconds to continue.
- **Time Weighted Average**, "TWA", displays; then, the TWA setpoint displays for three seconds.
 - a. To change the TWA setpoint, press the "TEST" button when the setpoint displays.
 - "ALARM" "SET", "?" displays.
 - b. Press the TEST button in rapid succession to increment the TWA alarm value.
 - The TEST button can be held down to increment the TWA alarm value.
 - c. Once the desired value displays, release the TEST button and wait three seconds to continue.

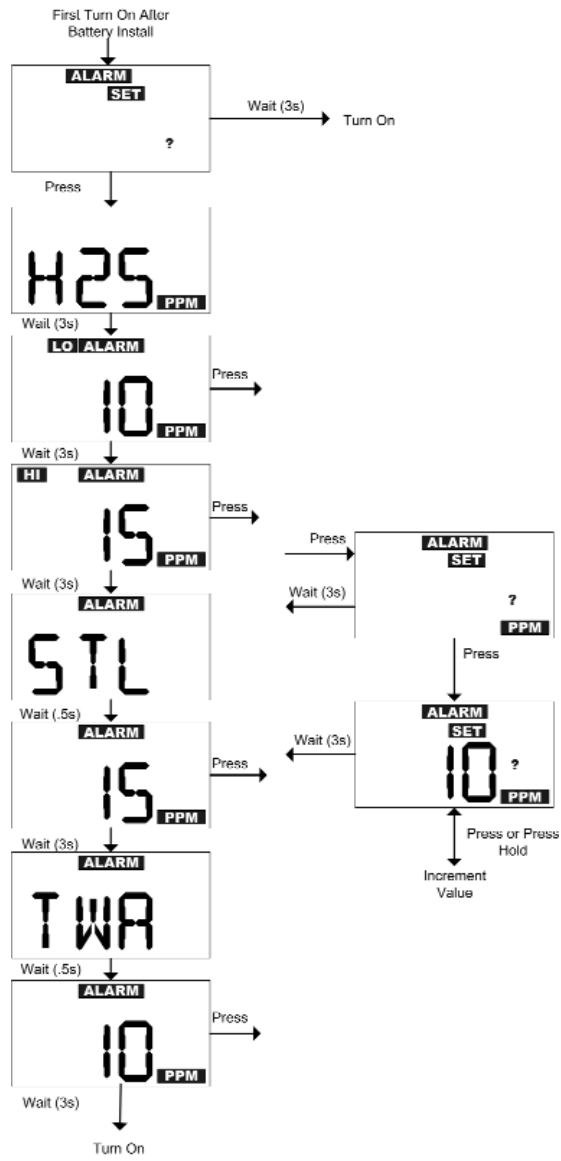


Figure 2-3. ALTAIR Pro Setup

Turning ON the ALTAIR Pro Single Gas Detector

1. The unit must be turned ON before it can be used to warn the user of a potentially hazardous condition.
 - a. To turn ON the personal protection instrument, press and hold the TEST button for three seconds.
 - "ON" displays during this time period.

NOTE: The Steel Mill version cannot be turned OFF without removing the battery or using FiveStar LINK software. The latest software version can be downloaded from the MSA webpage (www.msanet.com).

2. The following occurs:
 - an LCD Functional Test activates the cell segments
 - the horn, LEDs and vibrator also activate.
3. The Software Version displays for three seconds.
4. The instrument gas type displays for three seconds ("CO", "H₂S", or "O₂", etc.).
5. Alarm Setpoints display the:
 - **Low Alarm Setpoint** for three seconds
 - "LO" and "ALARM" icons turn ON
 - **High Alarm Setpoint** for three seconds
 - "HI" and "ALARM" icons turn ON
6. Short Term Exposure Limit, STL, and the "ALARM" icon display, followed by the STL alarm setpoint for three seconds.
7. Time Weighted Average, TWA, and the "ALARM" icon displays, followed by the TWA alarm setpoint display for three seconds.
8. If Calibration Due (CAL DUE) is enabled via FiveStar LINK software (default is OFF):
 - "CAL" and the hourglass display.

NOTE: See FIGURE 2-4 for details.
 - If calibration is due, "DUE" and the hourglass display for three seconds.
 - The instrument beeps and flashes "CAL" "DUE" every minute until instrument calibration is performed.
 - If calibration is not due, the hourglass, number of days to calibration, and "DAYS" display.

9. User is prompted for a Fresh Air Setup (FAS):

- "SET", "?" icon and FAS display.

If Fresh Air Setup is desired, immediately press the TEST button.

- "HOURLASS", "SET", and FAS display.

If user does *not* desire FAS, do NOT press the TEST button:

- The instrument continues the ON sequence.

NOTE: When performing a fresh air setup, the instrument must be in a known clean air. The fresh air setup has limits.

If a hazardous level of gas is present, the ALTAIR Pro instrument displays "FAS / ERR".

Press the TEST button to acknowledge the error. and perform an instrument calibration.

10. If the instrument was configured for Oxygen, it displays:

- Oxygen reading
- % icon
- battery indicator.

If the instrument is configured for a toxic gas, it displays:

- gas reading
- PPM icon
- battery indicator.

Battery Life Indicator (See FIGURE 2-2)

- The battery condition icon continuously displays in the upper right-hand corner of the display.
- As the battery is depleted, battery icon segments go blank until only the outline of the battery icon remains.
 - Each battery indicator segment represents approximately 1/4 of the total battery capacity.

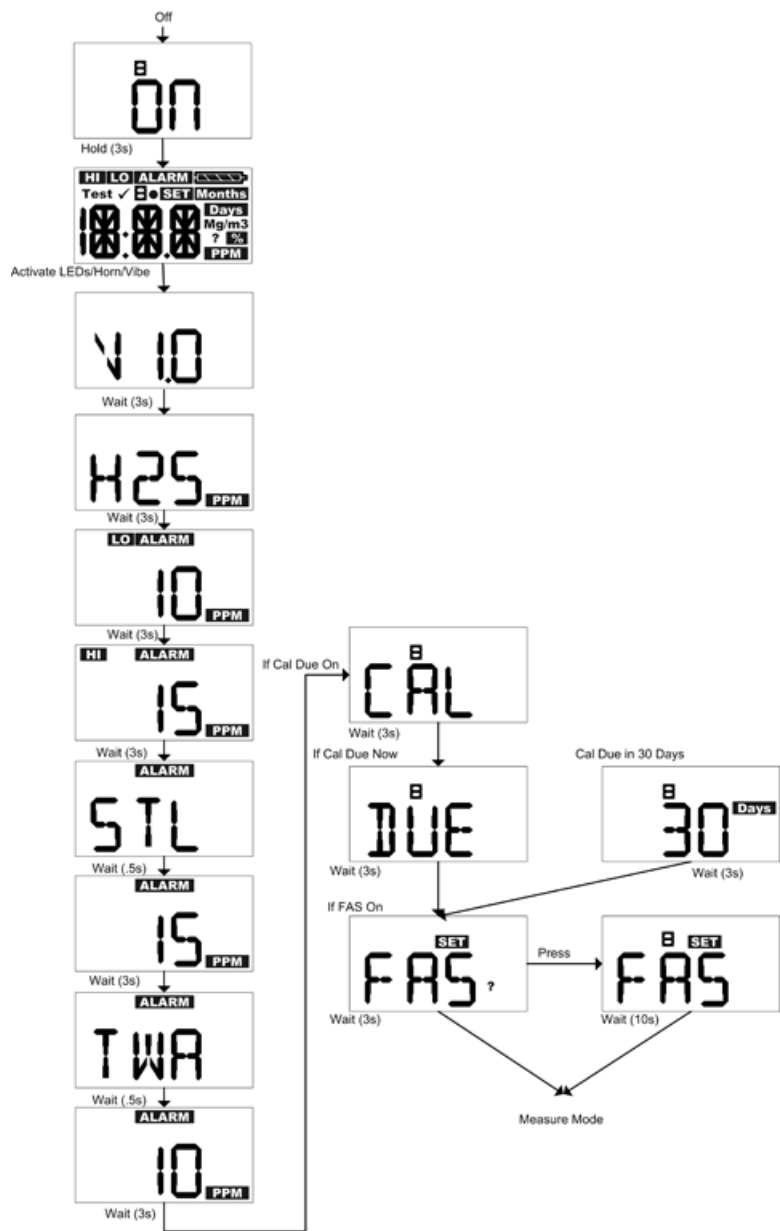


Figure 2-4. ALTAIR Pro Turn-ON Flow Chart

Battery Warning

- A battery warning indicates that a nominal two days of operation remain before the instrument's battery is depleted.

NOTE: The duration of remaining instrument operation during battery warning depends on:

- Ambient temperature (Colder temperatures may reduce battery life)
- The number and duration of alarms during battery warning.
- When the ALTAIR Pro unit goes into battery warning the:
 - Battery outline indicator flashes
 - Audible alarm sounds every 30 seconds
 - Alarm lights flash every 30 seconds.

⚠ CAUTION

During Battery Warning condition, prepare to exit the work area since the instrument could go into battery Shutdown at any time, resulting in loss of sensor function.

Battery Shutdown

- When the battery can no longer operate the instrument, the instrument goes into Battery Shutdown mode:
 - Battery outline indicator flashes
 - Alarm icon turns ON
 - Alarm sounds every 30 seconds
 - Alarm lights flash
 - No gas reading display
 - Display alternates between "BAT" and "ERR"
 - No other instrument pages can be viewed
 - The instrument remains in this state until it is:
 - Turned OFF or
 - Battery is completely depleted.
- The alarm lights and the horn can be silenced by pushing the TEST button.

⚠ WARNING

If a Battery Shutdown condition occurs, stop using the instrument and leave the area immediately. The instrument can no longer alert you of potential hazards since it does not have enough power to operate properly.

Failure to follow this warning can result in serious personal injury or death.

- When the instrument battery is running low, remove it from service and replace the battery.

Confidence Indicator (see Figure 2-2)

- The Confidence indicator flashes once every 60 seconds to notify the user that the instrument is ON and operating normally. In addition, both LEDs will flash briefly every 60 seconds.

Backlight

- The backlight can be manually activated with a quick push of the TEST button.
- The backlight remains ON for 10 seconds.

ALTAIR Pro Alarms

Toxic Gas Measurements (see FIGURE 2-1)

The ALTAIR Pro Detector can be purchased to detect the following gases in the atmosphere:

- Carbon Monoxide (CO) or
- Hydrogen Sulfide (H₂S)
- Sulfur Dioxide (SO₂)
- Nitrogen Dioxide (NO₂)
- Ammonia (NH₃)
- Phosphene (PH₃)
- Hydrogen Cyanide (HCN)
- Chlorine (Cl₂)
- Chlorine Dioxide (ClO₂).
- The ALTAIR Pro Detector displays the gas concentration in parts per million (PPM) on the measuring page.
 - The instrument remains on this page until another page is selected or the instrument is turned OFF.
- There are four alarm setpoints in the instrument:

- High Alarm
 - Low Alarm
 - STEL Alarm
 - TWA Alarm
- The backlight turns ON for 20 seconds during an alarm condition.
1. If the gas concentration reaches or exceeds the low alarm setpoint:
 - The instrument will:
 - display and flash "LO" and "ALARM" on the LCD
 - enter a low alarm sequence.
 - The low alarm can be silenced for five seconds by pressing the TEST button; it automatically clears once the gas level falls below the setpoint.
 2. If the gas concentration reaches or exceeds the high alarm setpoint:
 - The instrument will:
 - display and flash "HI" and "ALARM" on the LCD
 - enter a High alarm sequence.
 - The high alarm can be silenced for five seconds by pressing the TEST button while it is still in high alarm.
 - The High alarm is latching and will not reset when gas concentration falls below the HIGH setpoint.

NOTE: To reset alarm, push the TEST button after the gas level falls below the setpoint.
- Refer to the instrument during turn ON for factory-set alarm points.
 - If a gas concentration exceeds an alarm setpoint, the:
 - Audible alarm sounds
 - Alarm lights flash
 - Vibrator activates
 - Alarm type displays, alternately flashing the ALARM icon and the:
 - LO icon (if the low alarm setpoint was exceeded)
 - HI icon (if the high alarm setpoint was exceeded).
 - 3. If the STEL (Short Term Exposure Limit) reading reaches or exceeds the STEL alarm setpoint:
 - The instrument will:
 - display and flash "LO" AND "ALARM" on the LCD

- Enter a Low alarm sequence.
 - The STEL alarm can be silenced for five seconds by pressing the TEST button while it is still in alarm
 - The STEL alarm is non-latching and will reset when STEL reading falls below the STEL setpoint
 - The STEL value can be cleared. (See FIGURE 2-5 for details.)
 - The STEL alarm can be disabled using FiveStar LINK Software. The latest software version can be downloaded from the MSA webpage (www.msanet.com).
4. If the TWA (Time Weighted Average) reading reaches or exceeds the TWA alarm setpoint:
- The instrument will:
 - display and flash "LO" and "ALARM" on the LCD
 - Enter a Low Alarm sequence.
 - The TWA alarm can be silenced for five seconds by pressing the TEST button while it is still in alarm
 - The TWA alarm is latching and will not reset
 - The TWA value can be cleared. (See FIGURE 2-5 for details.)
 - The TWA alarm can be disabled using FiveStar LINK Software.
 - Refer to the instrument during Test mode for factory-set alarm setpoints.

⚠ WARNING

If a toxic or oxygen gas alarm condition is reached while using the instrument as a personal or area monitor, leave the area immediately: the ambient condition has reached a pre-set alarm level. Failure to follow this warning will cause over-exposure to toxic gases, which can result in serious personal injury or death.

Oxygen Measurements

- The ALTAIR Pro Detector can be purchased to measure the concentration of oxygen in an atmosphere.
 - The value displayed is percent by volume of oxygen in the atmosphere.
 - High and Low alarm setpoints can be configured to alarm in any combination of oxygen:
 - enrichment (greater than 20.8%) or

- depletion (less than 20.8%).
- When an alarm setpoint is reached, the:
 - Audible alarm sounds
 - Alarm lights flash
 - Vibrator activates
 - Type of alarm displays by alternately flashing the ALARM icon and the LO or HIGH icon, depending on how the Low and High alarms were set.
 - Low Alarm indicates:
 - the lower %O₂ level of the two alarm settings
 - a more urgent condition and the faster alarm sequence will be indicated
 - "LO" "ALARM" displays.

NOTE: The LOW alarm (lower of the two %O₂ alarm settings) is latching and will not reset when O₂ concentration rises above the LOW setpoint.

- To reset alarm push the TEST button

False oxygen alarms can occur due to barometric pressure (altitude) changes or extreme changes in ambient temperature. It is recommended that an oxygen calibration be performed at the temperature and pressure of use. Be sure that the instrument is in known fresh air before performing a calibration.

- Special requirements for ALTAIR PRO O₂-R Remote Oxygen Detector:
 - Operate this instrument only in ambient temperatures ranging from 0°C to 40°C (32°F to 104°F).
 - If the instrument is taken into an environment where the ambient temperature is 15°C (59°F) or more, higher or lower, than its previous location, do not use the instrument for a period of 40 minutes to allow the sensor to adjust to the new conditions. After this 40-minute period, perform a Fresh Air Set-up (FAS) to re-zero the sensor. Perform the FAS in fresh air only.

- Quick changes in barometric pressure result in an offset in the sensor reading for a few minutes. If this occurs, do not use the instrument for a period of five minutes; then, perform a Fresh Air Set-up (FAS) to re-zero the sensor. Perform the FAS in fresh air only.

Accessing the Instrument Pages

A single, quick button press turns ON the backlight for 10 seconds. The Information page can be accessed by pushing the TEST button for about one second.

- The instrument beeps twice.

For All Versions (Excluding the Steel Mill Version):

- 1) Test gas mode
- 2) Minimum Oxygen concentration ("LO") - for oxygen only
- 3) Peak Reading
 - Toxic ("HI")
 - Oxygen ("HI")
 - The Peak/Hi and Min/Low values can be cleared.
 - When this page is displayed, press the TEST button to clear.
 - "CLR" displays.
- 4) Short Term Exposure Limit, STL.
 - The STL reading displays that the instrument calculated since power-ON.
 - When this page displays, press the TEST button to clear.
 - "CLR" displays.
 - STEL is automatically reset to zero when the instrument is turned ON.
 - STEL value is calculated over a 15-minute exposure.
 - The following formula is used to calculate the STEL value:

$$\frac{(\text{Minute \#1 PPM value}) + (\text{Minute \#2 PPM value}) + \dots + (\text{minute \#15 PPM value})}{(15 \text{ minutes})} = \text{PPM STEL value}$$
 - If the instrument is ON for less than 15 minutes:
 - the balance of the minute PPM values is set to zero and
 - the total is divided by 15 minutes.

5) Time Weighted Average, TWA.

- The TWA reading displays what the instrument has calculated since power-ON.
- When this page displays, press the TEST button to clear.
 - "CLR" displays
- TWA value is automatically reset to zero when the instrument is turned ON.
- TWA value is calculated over an eight-hour exposure
- The following formula is used to calculate the TWA value:
$$\text{Sum of 1-minute gas readings} / 480 \text{ minutes (8 hours)} = \text{TWA value}$$
- If the instrument is ON for less than 8 hours (480 minutes), the balance of the minute ppm values is set to zero,

6) IR mode.

- When instrument displays "IR?", press button to enter IR mode.
- If IR communications are not detected for three minutes or the TEST button is pressed, the instrument will exit this mode.
- See FIGURE 2-5 for additional details.

Steel Mill Version Only:

- 1) Test gas mode
- 2) Functional check of LCD, vibrator, LEDs and horn
- 3) Software version displays.
- 4) Gas type
- 5) Low Alarm setpoint ("LO" "Alarm")
- 6) High Alarm setpoint ("HI" "Alarm")
- 7) STL Alarm setpoint
- 8) TWA Alarm setpoint
- 9) Peak Reading
 - Toxic ("HI")
 - The Peak/Hi and Min/Low values can be cleared.
 - When this page is displayed, press the TEST button to clear.
 - "CLR" displays.
- 10) Short Term Exposure Limit, STL
 - The STL reading displays that the instrument calculated since power-ON.
 - When this page displays, press the TEST button to clear.
 - "CLR" displays.

- STEL is automatically reset to zero when the instrument is turned ON.
- STEL value is calculated over a 15-minute exposure.
- The following formula is used to calculate the STEL value:

$$\frac{(\text{Minute \#1 PPM value}) + (\text{Minute \#2 PPM value}) + \dots + (\text{minute \#15 PPM value})}{(15 \text{ minutes})} = \text{PPM STEL value}$$

- If the instrument is ON for less than 15 minutes:
 - the balance of the minute PPM values is set to zero and
 - the total is divided by 15 minutes.

11) Time Weighted Average, TWA

- The TWA reading displays what the instrument has calculated since power-ON.
- When this page displays, press the TEST button to clear.
 - "CLR" displays
- TWA value is automatically reset to zero when the instrument is turned ON.
- TWA value is calculated over an eight-hour exposure
- The following formula is used to calculate the TWA value:

$$\text{Sum of 1-minute gas readings} / 480 \text{ minutes (8 hours)} = \text{TWA value}$$

- If the instrument is ON for less than 8 hours (480 minutes), the balance of the minute ppm values is set to zero,

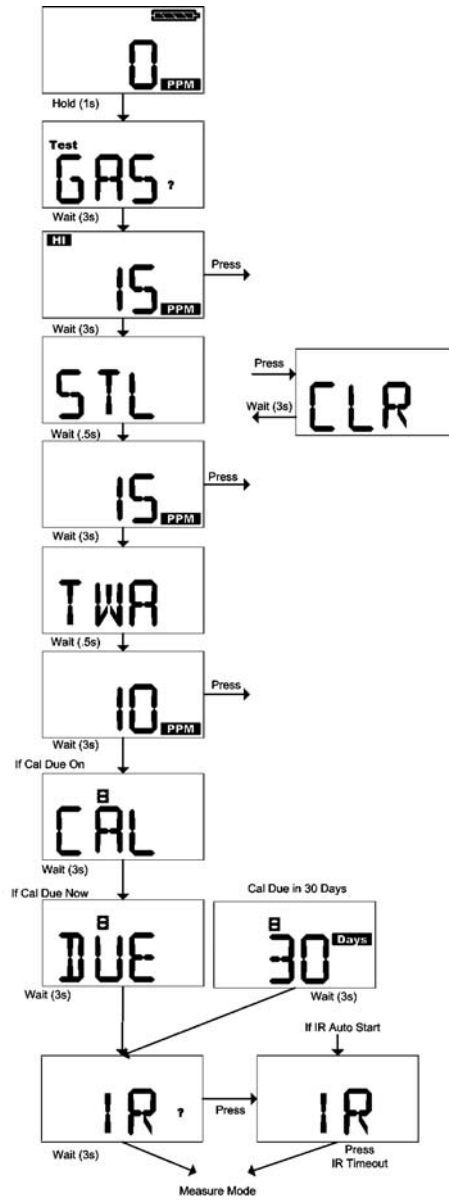
12) IR mode.

- When instrument displays "IR?", press button to enter IR mode.
- If IR communications are not detected for three minutes or the TEST button is pressed, the instrument will exit this mode.
- See FIGURE 2-5 for additional details.

Turning OFF the ALTAIR Pro Detector

1. Press and hold the TEST button for three seconds.
 - "OFF" and the hourglass display.
2. Continue to press the TEST button for two more seconds.
 - The instrument turns OFF.

NOTE: The Steel Mill version can't be turned OFF without removing the battery.



**Figure 2-5. Accessing ALTAIR Pro Pages
(Does not apply to the Steel Mill Version)**

Data Logging

Session Log

- The ALTAIR Pro Single Gas instrument has the capability of recording 50 of the most recent events.

To transfer data to a pc, hold the TEST button for one second.

- The instrument pages begin to display.
- Put the instrument in IR mode (see FIGURE 2-5).
- Events will be transferred to the PC during this sequence, if:
 - the top of the instrument is pointed toward the optional IR Receiving device
 - a PC is running MSA FiveStar Link Software (P/N 710946)
 - "CONNECT" is pressed in the PC FiveStar LINK Software package.
- The following events are recorded:
 - Alarm - Alarm Type - Alarm Value - Time/Date
 - Alarm Clear - Alarm Type - Alarm Value - Time/Date
 - Cal (Pass/Fail) - Time/Date
 - Bump (Pass/Fail) - Time/Date
 - Error - Error Type (See Error List) - Time/Date

Periodic Log

- Peak gas readings are periodically logged, based on user settings via the PC. (Default is one sample every three minutes.)
- See TABLE 6-3 for typical performance.

NOTES:

- The time and date is based on the PC time and date. Ensure the PC is correct before communicating with the instrument.
- Changing the instrument battery can result in lost time in the Data log.
- After changing batteries, verify the Time and Date with your PC.

Chapter 3, ALTAIR Pro Function Checks

Confidence and Heartbeat Indicator

- The alarm lights and heartbeat indicator on the display will flash approximately every 60 seconds to indicate that the ALTAIR Pro Detector is operating.

Alarm Test

- Check before each day's use.
- Turn ON instrument. A one-second test of the alarms will occur; this includes the:
 - display
 - alarm lights
 - vibrator
 - horn.
- If these items do not activate, remove the instrument from service.

NOTE: For the Steel Mill version only, the alarm test occurs every time the button is pressed for one second.

Bump Test

- Check before each day's use.
- Hold the TEST button for two seconds:
 - oxygen versions will display the current oxygen reading; calibrate the unit if it reads other than 20.8%.
 - "TEST" "GAS" "?" will display.
- Press the TEST button while "TEST" "GAS" "?" displays to activate the Bump Test mode.
 - the hourglass and "GAS" will display.
- Apply gas only **AFTER** the hourglass and "GAS" are displayed.
 - If gas is detected, the display will indicate "OK".

NOTE: See TABLE 3-1 for applied gases.

- Wait approximately five seconds:
 - The "√" that appears on the display:
 - indicates that the instrument passed the bump test.
 - remains for 24 hours, indicating that a bump test was performed on this instrument within the last 24 hours.

NOTE: See FIGURE 3-1 for details

- If the "✓" does not appear and "ERR" is indicated:
 - Check that the:
 - sensor inlet is not clogged
 - correct calibration cylinder is used to perform the bump test
 - gas cylinder has not expired and is not empty
 - gas was applied at the appropriate time
 - gas tubing is seated in the front instrument case during testing.
 - Repeat the bump test process as needed.
- If the "✓" does not appear, calibrate the instrument and repeat the Bump Test.

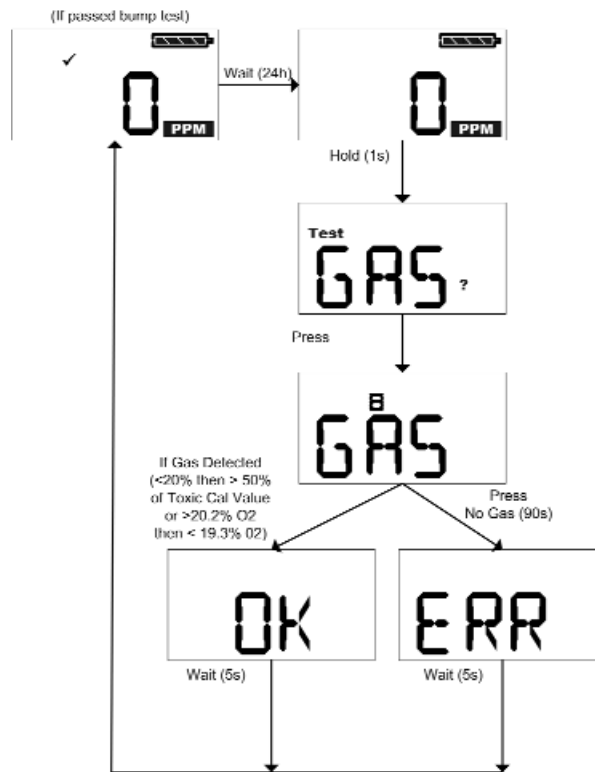


Figure 3-1. Bump Test Flow Chart

Table 3-1. Factory Set Default Calibration/Bump Test Values

INSTRUMENT TYPE	BUMP TEST GAS	CALIBRATION GAS
CO	60 ppm	60 ppm
H ₂ S	40 ppm	40 ppm
O ₂ and O ₂ -R	<19%*	20.8%
SO ₂	10 ppm	10 ppm
NO ₂	10 ppm	10 ppm
NH ₃	25 ppm	25 ppm
PH ₃	0.5 ppm	0.5 ppm
HCN	10 ppm	10 ppm
Cl ₂	10 ppm	10 ppm
ClO ₂	2 ppm Cl ₂	0.8 ppm ClO ₂ **

* The O₂ bump test can also be performed by exhaling on the sensor inlet for approximately three to five seconds.

** MSA recommends calibration of the ClO₂ ALTAIR Pro Detector using a ClO₂ generator for most accurate calibration. This instrument has a cross-sensitivity factor to Cl₂ of: 2 ppm Cl₂ equals approximately 0.8 ppm ClO₂.

Chapter 4, Calibrating the ALTAIR Pro Single Gas Detector

⚠ WARNING

Regulators and tubing used for bump testing and calibrating Cl₂, ClO₂, NH₃, HCN or PH₃ should be labeled by the user for that specific gas and must only be used for that gas exclusively in the future.

- The ALTAIR Pro Single Gas detector must be calibrated if it does not pass a Bump Test or if calibration is required by local procedures. In addition:
- For oxygen instruments, perform a calibration if:
 - there are changes in barometric pressure (altitude changes)
 - there are extreme changes in ambient temperature and humidity (see TABLE 6-2, "Instrument Specifications").
 - the instrument does not pass a bump test.
 - Calibration is required at certain intervals by local procedures.
 - Special requirements for ALTAIR PRO O₂-R Remote Oxygen Detector:
 - Operate this instrument only in ambient temperatures ranging from 0°C to 40°C (32°F to 104°F).
 - If the instrument is taken into an environment where the ambient temperature is 15°C (59°F) or more, higher or lower, than its previous location, do not use the instrument for a period of 40 minutes to allow the sensor to adjust to the new conditions. After this 40-minute period, perform a Fresh Air Set-up (FAS) to re-zero the sensor. Perform the FAS in fresh air only.
 - Quick changes in barometric pressure result in an offset in the sensor reading for a few minutes. If this occurs, do not use the instrument for a period of five minutes; then, perform a Fresh Air Set-up (FAS) to re-zero the sensor. Perform the FAS in fresh air only.

- For toxic instruments, perform a calibration if any of the following occur:
 - physical shock
 - extended use in extreme temperatures
 - high concentration exposure
 - the instrument does not pass a bump test.
 - Calibration is required at certain intervals by local procedures.

Calibrating the Toxic Gas Instruments

⚠ CAUTION

Due to high reactivity of Cl_2 and ClO_2 , gas, ambient humidity and calibration tubing material can react with the gas and cause the concentration reading to be lower than the actual concentration. It is, therefore, necessary to use dry tubing when calibrating or bump checking with these gases. For best calibration, use the shortest possible tubing to connect to the calibration cylinder for these gases.

- To enter the calibration mode, make sure you are in fresh, uncontaminated air. See FIGURE 4-1 for more details.
1. In normal operating mode, hold the TEST button for two seconds.
 - "TEST" "GAS" "?" displays.
 2. Press and hold the TEST button for three seconds when the "TEST" "GAS" "?" displays.
 - "TEST" "CAL" screen displays
 - After three seconds, "FAS" "?" displays asking the user if a fresh air setup/calibration is desired.
 3. Press the TEST button to enter zero calibration.

NOTE: Otherwise, the instrument will return to the normal operating mode.

4. During zero calibration:
 - the hour glass and "FAS" display
 - If the instrument successfully calibrates:
 - "OK" displays
 - If the instrument does not successfully calibrate:
 - "ERR" displays
 - instrument returns to normal operating mode after five seconds.

5. Once the instrument successfully calibrates and the "OK" displays:
 - "CAL" "?" displays.
6. While the "CAL" "?" displays, press the TEST button to enter the Gas Calibration mode.
 - The current expected test gas is shown (in ppm).
 - a. To change the expected calibration gas:
 - 1) Press the TEST button.
 - "TEST" "SET" "?" "ppm" displays.
 - 2) Press the TEST button in rapid succession to increment.
 - The TEST button can be held down to increment by larger values..
 - 3) Wait three seconds to return to the Calibration mode.
 - b. Apply the appropriate test gas
 - The display toggles between the current gas reading, the hourglass and "CAL".
 - Once the instrument passes calibration, "OK" displays. Calibration time is dependent on the sensor installed. See TABLE 6-2.
 - Otherwise, "ERR" displays.
 - Wait five seconds to return to the normal operating mode.

⚠ WARNING

The expected gas concentrations must match the gas concentrations listed on the calibration cylinder(s). Failure to follow this warning will cause an incorrect calibration, which can result in serious personal injury or death.

- c. If "ERR" displays after calibration, the current settings did not change. Immediately check that:
 - The calibration cylinder matches the expected calibration value expected in the instrument
 - The calibration cylinder is not empty and has not expired.
 - The regulator is 0.25 liters/minute
 - The tubing is seated in the front instrument case during gas calibration mode.
 - If necessary, repeat steps 1 through 6.
 - The display must read "OK"; if "ERR" remains, remove the instrument from service.
- d. Perform a bump test to confirm operation and activate the "√".

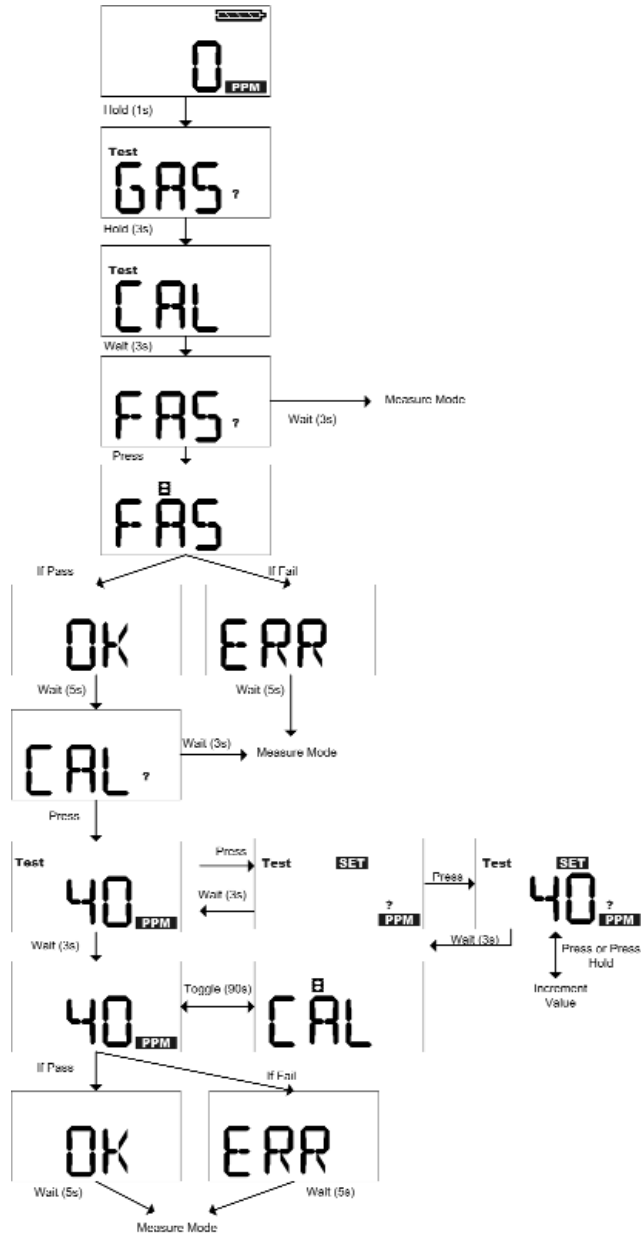


Figure 4-1. Calibration (Toxics) Flow Chart

Calibrating an Oxygen Instrument

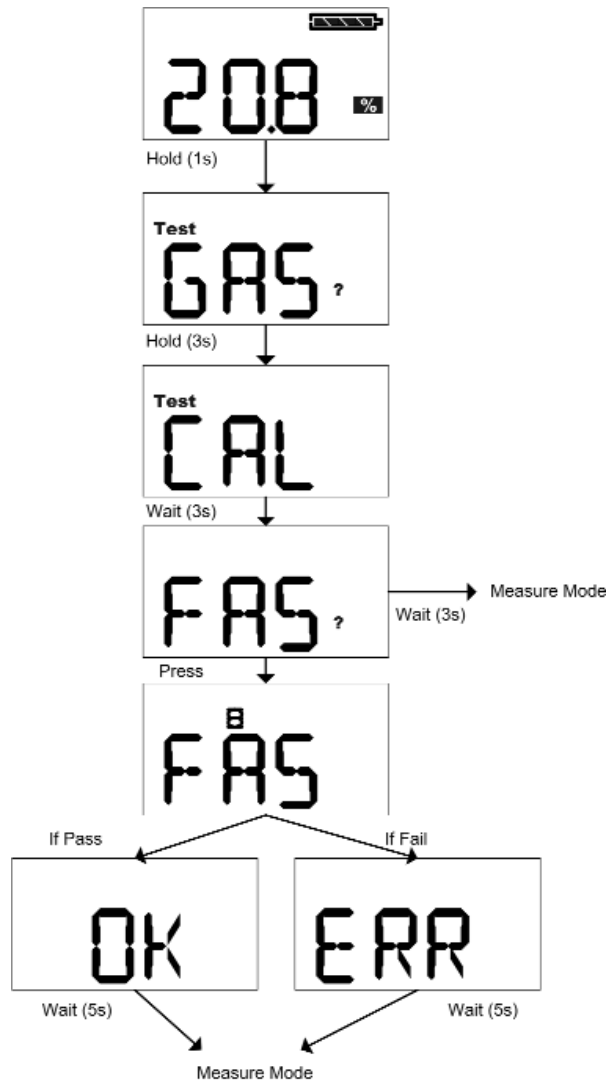
- False oxygen alarms can occur due to changes in barometric pressure (altitude changes) or extreme changes in ambient temperature.
- The ALTAIR Pro Detector is equipped with a feature to allow calibration at pressure and/or temperature of use.
- Be sure that the instrument is in known fresh air before performing a calibration.

To enter the calibration mode, make sure you are in fresh, uncontaminated air.

1. In normal operating mode, hold the TEST button for two seconds.
 - See FIGURE 4-2 for more details.
2. When the "TEST" "GAS" "?" displays, press and hold the TEST button to enter calibration.
 - "TEST" "CAL" displays
 - After three seconds, "FAS" "?" displays asking the user if a fresh air setup/calibration is desired.
3. Press the TEST button at the "FAS" "?" screen to perform a calibration at 20.8% O₂.

NOTE: This procedure must be performed in fresh, uncontaminated air. Do not breathe on the sensor while performing this function.

- If the successfully calibrates:
 - "OK" displays
 - If the sensor does not successfully calibrate:
 - "ERR" displays.
4. Wait five seconds.
 - The instrument returns to normal operating mode.
 5. If "ERR" displays after calibration, the current settings did not change. Immediately check that:
 - The instrument is in fresh, uncontaminated air during the calibration process
 - No one breathes on the sensor during calibration.
 - Repeat steps 1 through 6, as necessary.
 6. The display must read "OK"; if "ERR" remains, remove the instrument from service.
 7. Perform a bump test to confirm operation and activate the "√".



Chapter 5, Warranty, Maintenance, and Troubleshooting

MSA Portable Instrument Warranty

1. **Warranty - MSA warrants that this product will be free from mechanical defects and faulty workmanship for a period of two (2) years from date the product is first used, provided it is maintained and used in accordance with MSA's instructions and/or recommendations. Warranty shall not exceed two years and six months from the date of manufacture. The instrument's battery is not covered under the warranty. The instrument's sensors are warranted for a period as described in the table below.**

SENSORS	WARRANTY TERM
CO, CO Fire, CO Steel, H ₂ S, O ₂ , O ₂ -R	30 months from the date of manufacture or 24 months from the date of first use, whichever occurs first
SO ₂ , NO ₂ , NH ₃ , PH ₃ , HCN, Cl ₂ , ClO ₂	18 months from the date of manufacture, or 12 months from the date of first use, whichever occurs first

MSA shall be released from all obligations under this warranty in the event repairs or modifications are made by persons other than its own or authorized service personnel or if the warranty claim results from physical abuse or misuse of the product. No agent, employee or representative of MSA has any authority to bind MSA to any affirmation, representation or warranty concerning the goods sold under this contract. THIS WARRANTY IS IN LIEU OF ALL OTHER WARRANTIES, EXPRESSED, IMPLIED OR STATUTORY, AND IS STRICTLY LIMITED TO THE TERMS HEREOF. SELLER SPECIFICALLY DISCLAIMS ANY WARRANTY OF MERCHANTABILITY OR OF FITNESS FOR A PARTICULAR PURPOSE.

2. **Exclusive Remedy - It is expressly agreed that Purchaser's sole and exclusive remedy for breach of the above warranty, for any tortious conduct of MSA, or for any other cause of action, shall be the repair and/or replacement at MSA's option, of any equipment or parts thereof, which after examination by MSA is proven to be defective. Replacement equipment and/or parts will be provided at no cost to Purchaser, F.O.B. MSA's Plant. Failure of MSA to successfully repair any nonconforming product shall not cause the remedy established hereby to fail of its essential purpose.**

3. **Exclusion of Consequential Damage - Purchaser specifically understands and agrees that under no circumstances will MSA be liable to Purchaser for economic, special, incidental or consequential damages or losses of any kind whatsoever, including but not limited to, loss of anticipated profits and any other loss caused by reason of non-operation of the goods. This exclusion is applicable to claims for breach of warranty, tortious conduct or any other cause of action against MSA.**

Troubleshooting

- The ALTAIR Pro Single Gas Detector will operate reliably when handled and maintained properly. If the instrument becomes inoperative, follow the Troubleshooting Guidelines in TABLE 5-1; these represent the most likely causes of a problem. You may return inoperative instruments that are under warranty to MSA:
 - **MSA North America
Repair and Service Department
1000 Cranberry Woods Drive
Cranberry Township, PA 16066-5207
1-800-MSA-INST**
- To contact MSA International, please call:
 - **1-412-967-3000 or 1-800-MSA-7777**



⚠ WARNING

Repair or alteration of the ALTAIR Pro Single Gas Detector, beyond the procedures described in this manual or by anyone other than a person authorized by MSA, could cause the instrument to fail to perform properly. Use only genuine MSA replacement parts when performing any maintenance procedures described in this manual. Substitution of components can seriously impair instrument performance, alter intrinsic safety characteristics or void agency approvals.

FAILURE TO FOLLOW THIS WARNING CAN RESULT IN SERIOUS PERSONAL INJURY OR DEATH.

- The instrument displays an error code if it detects a problem during startup or operation. See TABLE 5-1 for a brief description of the error and proper corrective action.
- When an inoperative component is located by using the guidelines, consult the "Repair Procedures" later in this chapter to see if it is a replaceable part.

Table 5-1. Troubleshooting Guidelines

PROBLEM	DESCRIPTION	ACTION
DISPLAY TOGGLES BETWEEN:		
TMP/ERR	Temperature out of range	Return instrument to normal temperature range and recalibrate. If condition persists, contact MSA during warranty period.
AD/ERR	Sensor feedback error	Remove battery and recalibrate. If condition persists, contact MSA during warranty period.
EE/ERR	EEPROM inoperative	Contact MSA during warranty period
PRG/ERR	Program Memory inoperative	Contact MSA during warranty period
RAM/ERR	RAM inoperative	Contact MSA during warranty period
LED/ERR	LED inoperative	Verify operation of two alarm LEDs in alarm
VIB/ERR	Vibrator inoperative	Verify operation of vibrator in alarm
UNK/ERR	Unknown Error	Contact MSA during warranty period
UND/ERR	Sensor Under range	Calibrate instrument
	Low battery warning indicator and beep every 30 seconds	Remove from service as soon as possible and replace battery
	Low battery Alarm indicator (horn sounds, LEDs activate)	Instrument is no longer sensing gas. Remove from service and replace battery
SNS/ERR	Sensor Error	Calibrate instrument. If instrument fails calibration, replace sensor
Instrument does not turn ON	Low battery	Replace battery

Repair Procedures

⚠ CAUTION

Before handling the PC board, ensure you are properly grounded; otherwise, static charges from your body could damage the electronics. Such damage is not covered by the warranty. Grounding straps and kits are available from electronics suppliers.

Replacing the ALTAIR Pro Battery

1. Remove the four screws securing the case halves together after the instrument is turned OFF (except Steel Mill version).
2. Carefully remove the front cover to expose the battery.
 - The circuit board will remain with the back half of the case.
 - Do not touch the display connections (two blue connectors)
3. Remove the depleted battery and replace only with one specified in TABLE 6-2.
 - Be sure to observe proper polarity on the battery, as shown on the battery holder.
4. Replace the front cover, making sure the sensor, horn gasket and sensor gasket are properly seated. For the Remote O₂ instrument only, ensure that sensor pins located on the front case align with the circuit board sockets in the back case.
5. Ensure the interface and connectors for the display are clean and free of dirt for proper operation.
 - If needed, clean display connectors with a soft, lint free cloth.
6. Replace the four screws.

NOTES:

- Changing instrument battery can result in lost time in the Data log.
- After changing batteries, verify the Time and Date with your PC via the IR mode and the FiveStar Link. See Chapter 2 for more details on entering IR mode. Once the instrument is communicating via IR and the FiveStar link, the instrument time automatically synchronizes with the PC.
- The time and date is based on the PC time and date. Ensure the PC is correct before communicating with the instrument.

⚠ CAUTION

Do not over-tighten screws; otherwise, case may be damaged.

Replacing the ALTAIR Pro Sensor (Except Remote O₂ Version)

1. Remove the four screws securing the case halves together after the instrument is turned OFF (except Steel Mill version).
2. For Steel Mill version only, remove battery before proceeding with sensor replacement.
3. Carefully remove the front cover to expose the sensor (located near the top of the instrument, near the alarm lights).
4. Remove the sensor from its sockets.
5. Install the new sensor in the sockets on the PC board (it can only be installed one way). If replacement sensor is equipped with a "shorting" clip, it must be removed prior to installation in the instrument. Fully seat the sensor against the board.
6. Replace the front cover, making sure the sensor, horn gasket, and sensor gasket are properly seated.
7. Ensure the interface and connectors for the display are clean and free of dirt for proper operation.
 - If necessary, the display connectors can be cleaned with a soft, lint-free cloth.
8. Replace the four screws.

⚠ CAUTION

Do not over-tighten the screws; otherwise, the case may be damaged.

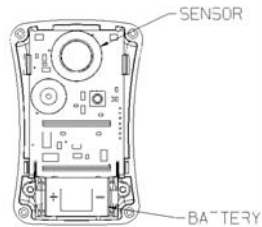
9. The instrument **MUST** be calibrated as previously described. Allow a minimum of 60 minutes after the new sensor is installed before calibrating to ensure the new sensor reaches equilibrium.

⚠ CAUTION

The new replacement sensor must be the same part number and type as the one being replaced; otherwise, improper operation will result.

⚠ WARNING

Calibration is required after a sensor is installed; otherwise, the instrument will not perform as expected and persons relying on this product for their safety could sustain serious personal injury or death.



**Figure 5-1. Sensor and Battery Replacement
(Except Remote O₂ Version)**

Replacing the ALTAIR Pro Remote O₂ Sensor

1. Ensure the instrument is OFF.
2. Remove the sensor from the cable assembly by unscrewing the fitting.
3. Attach the new sensor to the cable assembly and ensure that fitting is tight and the O-ring (P/N 635511) is installed on the cable plug before placement in the sensor.
4. The instrument **MUST** be calibrated as previously described. Allow a minimum of 60 minutes after the new sensor is installed before calibrating to ensure the new sensor reaches equilibrium.

⚠ CAUTION

The new replacement sensor must be the same part number and type as the one being replaced; otherwise, improper operation will result.

⚠ WARNING


Calibration is required after a sensor is installed; otherwise, the instrument will not perform as expected and persons relying on this product for their safety could sustain serious personal injury or death.

Conditions for Safe Use:

- Use a Lithium battery listed in Table 6-2 only.
- The maximum length of the remote sensor connecting cable must not exceed 3.3 meters (10 feet).

Chapter 6, Performance Specifications

Table 6-1. Certifications

HAZARDOUS LOCATIONS	US 	AEx ia IIC T4 Class I Groups A, B, C, and D; Class II, Group G T _{amb.} -20°C to +50°C Temperature Code T4
	CANADA 	Ex ia IIC T4 Class I Groups A, B, C, and D; Class II, Group G T _{amb.} -20 °C to +50°C Temperature Code T4
	AUSTRALIA	Ex ia IIC T4 (T _{amb} 50°C)
	EUROPE 	II 2G EEx ia IIC T4 -20°C ≤ T _{amb.} ≤ +50°C
IEC		Ex ia IIC T4 -20°C ≤ T _{amb.} ≤ + 50°C
EMC/RFI	EUROPE 	89/336/EEC
ENCLOSURE		IP 67 (Remote O ₂ version is IP 54)
APPLICABLE EUROPEAN DIRECTIVES	EUROPE	ATEX: 94/9/EC EMC: 89/336/EEC LVD: 73/23/EEC

Conditions for Safe Use

- Use a Lithium battery listed in Table 6-2 only.
- The maximum length of the remote sensor connecting cable must not exceed 3.3 meters (10 feet).

Table 6-2. Instrument Specifications

OPERATING TEMPERATURE RANGE	-20 to 50°C (-4 to +122°F), [NH ₃ , ClO ₂ : -20 to 40°C (-4 to 104°F), O ₂ -R Version: 0 to 40°C (32 to 104°F)]							
HUMIDITY	10 to 95% RH, Non condensing							
INGRESS PROTECTION	IP67, (Remote O ₂ is IP54)							
RECOMMENDED STORAGE	0 to 40°C (32° to 104°F)							
WARRANTY	See Chapter 5							
AUDIBLE ALARM	95 dB typical							
APPROXIMATE SIZE	3.4" H x 2.0" W x 1" D (8.6 cm H x 5.1 cm W x 2.5 cm D)							
WEIGHT	4 oz (113 grams)							
SENSOR	Electrochemical Sensors							
BATTERY	Lithium, CR2, non-rechargeable: Replace with Energizer CR2 EL1CR2BP, Panasonic CR-2PA/1B, Varta CR2 6206, or Varta (Power One) CR2 CR15H270, 6206 battery only							
FACTORY-SET* ALARM SETPOINTS								
	LOW* ALARM (PPM)	HIGH* ALARM (PPM)	STEL* (PPM)	TWA* (PPM)	MIN. ALARM SET-POINT	MAX. ALARM SET-POINT	FAS TIME (SEC)	CAL/SPAN TIME (SEC)
CO & CO FIRE	25	100	100	25	20	1450	<15	90
CO STEEL	75	200	200	75	20	1450	<15	90
H₂S	10	15	15	10	5	175	<15	90
O₂	19.5%	23.0%	--	--	5.0	24	<15	90
SO₂	2.0	5.0	5.0	2.0	2.0	17.5	<15	90
NO₂	2.0	5.0	5.0	2.0	2.0	17.5	<15	240
NH₃	25	50	35	25	15	75	<15	180
PH₃	0.3	1.0	1.0	0.3	0.3	3.75	<15	90
HCN	4.5	10.0	10.0	4.5	4.5	20.0	<15	240
Cl₂	0.5	1.0	1.0	0.5	0.5	17.5	<15	240
ClO₂	0.10	0.30	0.30	0.10	0.10	0.75	<15	360

NOTE:

This instrument has not been classified for use in atmospheres containing >21% oxygen.

* Other setpoints available upon request or at any time via MSA FiveStar Link Software.

Table 6-3. Oxygen Typical Performance Specifications

RANGE	0-25% O ₂ (Oxygen and Oxygen-R)
RESOLUTION	0.1% O ₂
REPRODUCIBILITY	0.7% O ₂ for 2-25% O ₂ *
RESPONSE TIME	90% of final reading 30 seconds (normal temperature range*). Three minutes (extended temperature range**)

* normal temperature range 0-40°C

** extended temp. range -20 to 0, 40 to 50°C

Table 6-4. Toxic Performance Specifications

SENSOR:	CO or CO STEEL (Carbon Monoxide)
RANGE:	0-1500 ppm
RESOLUTION:	1 ppm
REPRODUCIBILITY:	±5 ppm or 10% reading, whichever is greater (normal temperature range*)
	+10 ppm CO or 20% or reading, whichever is greater (extended temp. range**)
RESPONSE TIME:	90% of final reading in 60 seconds (normal temp.range*)
SENSOR:	H ₂ S (Hydrogen Sulfide)
RANGE:	0-200 ppm
RESOLUTION:	1 ppm
REPRODUCIBILITY:	+2 ppm or 10% of reading, whichever is greater (normal temperature range*)
	+5 ppm or 20% of reading, whichever is greater (extended temp. range**)
RESPONSE TIME:	90% of final reading (normal temp. range*)
SENSOR:	SO ₂ (Sulfur Dioxide)
RANGE:	0-20.0 ppm
RESOLUTION:	0.1 ppm
SENSOR:	NO ₂ (Nitrogen Dioxide)
RANGE:	0-20.0 ppm
RESOLUTION:	0.1 ppm
SENSOR:	NH ₃ (Ammonia)
RANGE:	0-100 ppm
RESOLUTION:	1 ppm
SENSOR:	PH ₃ (Phosphine)
RANGE:	0-5.0 ppm
RESOLUTION:	0.05 ppm
SENSOR:	HCN (Hydrogen Cyanide)
RANGE:	0-30.0 ppm
RESOLUTION:	0.5 ppm

SENSOR:	Cl ₂ (Chlorine)
RANGE:	0-20.0 ppm
RESOLUTION:	0.1 ppm
SENSOR:	ClO ₂ (Chlorine Dioxide)
RANGE:	0-1.00 ppm
RESOLUTION:	0.02 ppm
* Normal temperature range 0-40°C	
** extended temp. range -20 to 0, 40 to 50°C (NH ₃ and ClO ₂ only: -20 to 0°C)	

Table 6-5. Data Logging Specifications

SESSION DATALOG	NUMBER OF SHARED EVENTS	50 (most recent occurrences)	
	DATA TRANSMISSION METHOD	Via MSA infrared adapter on a PC using MSA FiveStar Link Software > version 4.5	
	EVENT LOG INFORMATION		Alarm - Alarm Type - Alarm Value - Time/Date
			Alarm Clear - Alarm Type - Alarm Value - Time/Date
			Cal (Pass/Fail) - Time/Date
			Bump (Pass/Fail) - Time/Date
			Error Non-Shutdown - Error Type (See Error List) - Time/Date
			ON/OFF - Time/Date.
TRANSMISSION TIME	Typically less than 60 seconds max.		
PERIODIC DATALOG	DEFAULT LOGGING INTERVAL	Three minute peak readings (configurable via PC from 15 seconds to 15 minute peaks or one minute peak average)	
	STORAGE ESTIMATE	Typically greater than 100 hours with default interval (storage time varies based on interval and sensor activity)	
	TRANSMISSION TIME	Typically less than three minutes	

Chapter 7, Replacement and Accessory Parts

Table 7-1. Replacement Parts List

PART/COMPONENT	PART NO.
Cylinder, 60 ppm CO (factory setting calibration gas)	710882
Cylinder, 300 ppm CO RP (factory setting calibration gas)	473180
Cylinder, 40 ppm H ₂ S, RP (factory setting calibration gas)	467897
Cylinder, 40 ppm H ₂ S, Econocal	711062
Cylinder, 10 ppm NO ₂ , Econocal	711068
Cylinder, 10 ppm NO ₂ , RP	808977
Cylinder, 10 ppm SO ₂ , Econocal	711070
Cylinder, 10 ppm SO ₂ , RP	808978
Cylinder, 25 ppm NH ₃ , Econocal	711078
Cylinder, 25 ppm NH ₃ , RP	814866
Cylinder, 10 ppm Cl ₂ , Econocal	711066
Cylinder, 10 ppm Cl ₂ , RP	806740
Cylinder, 2 ppm Cl ₂ , Econocal	711082
Cylinder, 2 ppm Cl ₂ , RP	10028080
Cylinder, 10 ppm HCN, Econocal	711072
Cylinder, 10 ppm HCN, RP	809351
Cylinder, 0.5 ppm PH ₃ , Econocal	711088
Cylinder, 0.5 ppm PH ₃ , RP	710533
Regulator, 0.25 lpm	467895
Regulator, 0.25 lpm, Combination	711175
Tubing, 40 cm (16") (not used for NH ₃ , Cl ₂ or ClO ₂)	10030325
Tubing, 40 cm (16"), Tygon (NH ₃ , Cl ₂ , ClO ₂ only)	10080534
Clip, Suspender Style, black	10040002
Clip, Suspender Style, Stainless Steel	10069894
Cell Phone Belt Clip	10041105
Lanyard Kit	10041107

FiveStar Link with IR (optional for event logging)	710946
Sensor Gasket	10071375
Horn Gasket	10067102
Battery - CR2	10074132
Screws, Case	636267
Clip, Hard Hat	10073346
Front Case Replacement Assembly with Gaskets (without front label)	10075629
Front Case Label, O ₂	10068694
Front Case Label, H ₂ S	10068696
Front Case Label, CO	10068695
Front Case Label, CO Steel	10074153
Front Case Label, CO Fire	10074154
Front Case Label, NO ₂	10068699
Front Case Label, SO ₂	10068702
Front Case Label, NH ₃	10068700
Front Case Label, Cl ₂	10068697
Front Case Label, ClO ₂	10068698
Front Case Label, HCN	10068701
Front Case Label, PH ₃	10068703
Front Case Label, O ₂ -Remote Version	10068693
Front Case Replacement Assembly with Gasket, O ₂ -Remote Version	10078275
Sensor, CO, Steel Mill, H ₂ Resistant	10080219
Sensor, CO (Carbon Monoxide)	711306
Sensor, H ₂ S (Hydrogen Sulfide)	711307
Sensor, O ₂ (Oxygen)	10046946
Sensor, HCN (Hydrogen Cyanide)	10080220
Sensor, Cl ₂ (Chlorine)	10080221
Sensor, SO ₂ (Sulfur Dioxide)	10080223
Sensor, NO ₂ (Nitrogen Dioxide)	10080224
Sensor, NH ₃ (Ammonia)	10080225
Sensor, PH ₃ (Phosphine)	10080226
Sensor, O ₂ -Remote Version	10016798
Sensor, ClO ₂ (Chlorine Dioxide)	10080222
Cable Assembly, 10-foot, O ₂ -Remote Version	10080493
O-Ring (for O ₂ -Remote Version Cable - two required)	635511



Detector de un sólo gas ALTAIR® Pro

Manual de Operación



Para comunicarse con el lugar de abastecimiento más cercano en América del Norte, llame gratis al 1-800-MSA-2222. Para comunicarse con MSA International, llame al 1-412-967-3354 ó 1-800-MSA-7777

© MINE SAFETY APPLIANCES COMPANY 2007. Se reservan todos los derechos.

Este manual puede obtenerse en la Internet, en el sitio: www.msanet.com.

Fabricado por:

MSA INSTRUMENT DIVISION

P.O. Box 427, Pittsburgh, Pennsylvania 15230

(L) Rev. 2

IMZ001-034

10074734

ADVERTENCIA

ESTE MANUAL DEBE LEERSE DETENIDAMENTE POR TODOS AQUELLOS INDIVIDUOS QUE TENGAN O QUE VAYAN A TENER LA RESPONSABILIDAD DE USAR EL PRODUCTO O PRESTARLE SERVICIO. Como con cualquier equipo complejo, este instrumento sólo funcionará según su diseño si se instala, utiliza y da servicio de acuerdo con las instrucciones del fabricante. DE LO CONTRARIO, EL EQUIPO PUEDE DEJAR DE FUNCIONAR CONFORME A SU DISEÑO Y LAS PERSONAS CUYA SEGURIDAD DEPENDE DE ESTE PRODUCTO PUEDEN SUFRIR LESIONES PERSONALES GRAVES O LA MUERTE.

Las garantías que Mine Safety Appliances Company da a este producto quedarán invalidadas si el mismo no se utiliza y se le da mantenimiento de acuerdo con las instrucciones que aparecen en este manual. Protéjase personalmente y proteja a los demás siguiendo dichas instrucciones. Exhortamos a nuestros clientes a que nos escriban o llamen si tienen dudas sobre el equipo antes de usarlo o para obtener cualquier información adicional relacionada con el uso o las reparaciones del mismo.

Índice

Capítulo 1: Seguridad y certificaciones del instrumento . . . 1-1

Certificaciones 1-3

Capítulo 2: Uso del Detector de un sólo gas ALTAIR Pro . . 2-1

Figura 2-1: Descripción general del ALTAIR Pro 2-1

Figura 2-2: Pantalla del ALTAIR Pro 2-1

Cambio de los valores predeterminados de las alarmas . . 2-2

Para cambiar manualmente los valores

predeterminados de las alarmas: 2-2

Figura 2-3: Configuración del ALTAIR Pro 2-4

Encendido del Detector de un sólo gas ALTAIR Pro 2-5

Figura 2-4: Diagrama de flujo del encendido
del ALTAIR Pro 2-7

Indicador de tiempo de funcionamiento de batería 2-8

Advertencia de carga de batería baja 2-8

▲ CUIDADO 2-8

Indicador de confianza (vea la Figura 2-2) 2-9

Luz de fondo 2-9

Alarmas del ALTAIR Pro 2-10

Mediciones de gases tóxicos (vea la Figura 2-1) 2-10

▲ ADVERTENCIA 2-12

Mediciones de oxígeno 2-12

▲ ADVERTENCIA 2-12

Acceso a las páginas del instrumento 2-14

Para todas las versiones (excluyendo
la versión para las fundiciones de acero) 2-14

Sólo para la versión para fundiciones de acero 2-14

Apagado del Detector ALTAIR Pro 2-18

Figura 2-5: Acceso a las páginas del ALTAIR Pro
(No se aplica a la versión para las
fundiciones de acero) 2-17

Registro de datos 2-18

Registro de sesión 2-18

Registro periódico 2-19

Capítulo 3: Comprobaciones de las funciones del ALTAIR Pro3-1

Indicador de confianza y latido del corazón	3-1
Prueba de alarmas	3-1
Prueba de funcionamiento	3-1
Figura 3-1. Diagrama de flujo de la prueba de funcionamiento	3-3
Tabla 3-1. Valores de pruebas de calibración/funcionamiento	3-4

Capítulo 4: Calibración del Detector de un Gas ALTAIR Pro 4-1

Calibración de instrumentos de detección de gases tóxicos	4-2
▲ CUIDADO	4-3
Figura 4-1. Diagrama de flujo de la calibración (de gases tóxicos)	4-4
▲ ADVERTENCIA	4-5
Calibración de un instrumento detector de oxígeno	4-5
Figura 4-2. Diagrama de flujo de calibración (oxígeno)	4-7

Capítulo 5: Garantía, mantenimiento y detección y reparación de averías

5-1

Garantía de instrumentos portátiles de MSA	5-1
Detección y reparación de averías	5-2
▲ ADVERTENCIA	5-2
Tabla 5-1. Pautas para la detección y reparación de averías	5-3
Procedimientos de reparación	5-4
Cambio de la batería del ALTAIR Pro	5-4
Cambio del sensor del ALTAIR Pro	5-4
▲ CUIDADO	5-4
▲ CUIDADO	5-4
▲ CUIDADO	5-5
▲ CUIDADO	5-5
▲ ADVERTENCIA	5-5

Figura 5-1: Reemplazo del sensor y la batería (Excepto la versión de O ₂ remota)	5-6
Cambio del sensor del ALTAIR Pro (Excepto la versión de O ₂ remota)	5-6
▲ CUIDADO	5-6
▲ ADVERTENCIA	5-6

Capítulo 6:
Especificaciones de rendimiento6-1

Tabla 6-1. Certificaciones	6-1
Tabla 6-2. Especificaciones del instrumento	6-2
Tabla 6-3: Especificaciones de rendimiento típico para el oxígeno	6-3
Tabla 6-4: Especificaciones de rendimiento para gases tóxicos	6-3
Tabla 6-5: Especificaciones del registro de datos	6-4

Capítulo 7:
Piezas de repuesto y accesorios7-1

Tabla 7-1. Lista de piezas de repuesto	7-1
--	-----

Capítulo 1: Seguridad y certificaciones del instrumento

El Detector de un Gas ALTAIR Pro está concebido para:

- Usar por personal calificado y adiestrado.
- Usar solamente como un dispositivo de advertencia y no para medir las concentraciones específicas de los gases.
- Usar cuando se esté determinando el peligro en:
 - La exposición potencial de trabajadores a gases tóxicos específicos para los cuales se ha instalado un sensor.
 - Atmósferas deficientes o ricas en oxígeno.

NOTA: Aunque la unidad ALTAIR Pro O₂ detectará hasta un 25% de oxígeno, todas las versiones del ALTAIR Pro no están certificadas o clasificadas para usar en atmósferas que contengan más de un 21% de oxígeno.

ADVERTENCIA

- **Lea y siga todas las instrucciones detenidamente.**
- **No use este detector para muestrear el gas especificado en el instrumento en gases que no sean aire.**
- **Haga una comprobación del funcionamiento de las alarmas y una prueba de funcionamiento cada día antes del uso. Si el instrumento no pasa la comprobación, debe ser retirado del servicio.**
- **Vuelva a revisar la respuesta y el funcionamiento de las alarmas si el instrumento se somete a un golpe físico.**
- **No altere este instrumento ni haga reparaciones más allá de aquéllas que se especifican en este manual. Esta unidad podrá repararla solamente el personal autorizado por MSA; de lo contrario, podría dañarse.**
- **Esta unidad contiene una batería de litio. Deshágase de la misma siguiendo las regulaciones locales.**
- **Espere hasta que la unidad muestre una lectura precisa, ya que los tiempos de respuesta pueden variar dependiendo del gas que se está detectando.**

- Use la unidad solamente para detectar el gas para el cual hay un sensor instalado.
- No bloquee el sensor.
- Abandone el área inmediatamente si se llega a una condición de alarma de gas.
- No use aire comprimido para limpiar los orificios del sensor o alarma.
- Todas las lecturas e información del instrumento deben ser interpretadas por una persona adiestrada y calificada para interpretar las mismas, que sepa relacionarlas con una atmósfera específica y que conozca las prácticas industriales y las limitaciones de exposición.
- Los sensores de gas del Detector ALTAIR Pro podrían tener una respuesta de sensibilidad cruzada a gases de interferencia comunes que no son el gas para lo que están diseñados para detectar. En algunos casos, esta sensibilidad cruzada podría ser positiva lo que puede producir una lectura mayor que la real. En otros casos, podría ser negativa y dar lecturas más bajas e incluso negativas. Comuníquese con MSA para obtener más detalles si la sensibilidad cruzada podría ser un problema.
- Requisitos especiales para el Detector de Oxígeno Remoto ALTAIR PRO O₂-R:
 - Use este instrumento sólo a temperaturas ambientales que oscilen entre 0 °C y 40 °C (32 °F y 104 °F).
 - Si el instrumento se lleva a un ambiente donde la temperatura ambiental sea 15 °C (59 °F) o más por encima o por debajo de la temperatura del lugar donde estaba previamente, no lo use por un tiempo de 40 minutos para dejar que el sensor se ajuste a esas nuevas condiciones. Después de ese tiempo de 40 minutos, realice una configuración de aire fresco (FAS) para recalibrar el sensor a cero. Realice la FAS solamente en un lugar donde el aire esté limpio.

- Los cambios rápidos en la presión barométrica resultan en un corrimiento de la lectura del sensor por unos minutos. Si esto ocurre, no use el instrumento por un tiempo de cinco minutos. Luego, realice una configuración de aire fresco (FAS) para recalibrar el sensor a cero. Realice la FAS solamente en un lugar donde el aire esté limpio.
- Condiciones para el uso seguro:
 - Cuando sea necesario cambiar la batería, use solamente una batería de litio que esté indicada en la TABLA 6-2.
 - Use sólo el cable MSA especificado para conectar el sensor de oxígeno remoto.
 - La longitud máxima del cable de conexión del sensor remoto no debe exceder los 3.3 metros (10 pies).

EL USO INCORRECTO O EL INCUMPLIMIENTO CON ESTA ADVERTENCIA PODRÍA RESULTAR EN UNA LESIÓN PERSONAL GRAVE O LA MUERTE.

Certificaciones

El Detector de un Gas ALTAIR Pro cumple con las normas industriales y gubernamentales correspondientes, según indicado en la etiqueta de aprobación del instrumento y especificado en la TABLA 6-1.

Capítulo 2: Uso del Detector de un Gas ALTAIR Pro

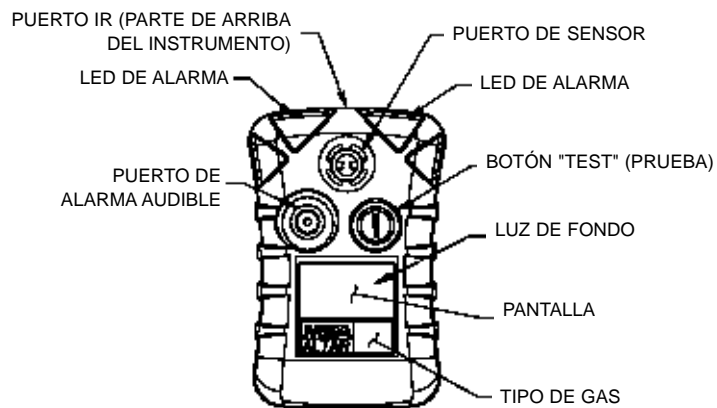


Figura 2-1. Descripción general del ALTAIR Pro

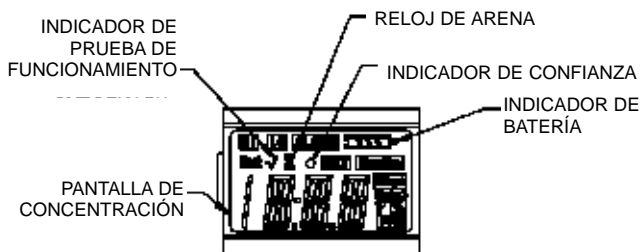


Figura 2-2. Pantalla del ALTAIR Pro

Cambio de valores predeterminados de las alarmas

NOTA: Los valores predeterminados de las alarmas pueden cambiarse solamente de forma manual durante la configuración del instrumento, y estos valores pueden introducirse después de acoplar o reacoplar la batería. Vea la FIGURA 2-3 para los detalles. Los valores predeterminados de las alarmas también puede cambiarse electrónicamente usando el Software MSA FiveStar® LINK®. La versión de software más actualizada puede descargarse de la página Web de MSA en: www.msanet.com.

Para cambiar manualmente los valores predeterminados de las alarmas:

1. Asegúrese de que el instrumento esté APAGADO antes de proceder.
2. Quite y vuelva a acoplar la batería.
3. ENCIENDA el instrumento.

La unidad debe ENCENDERSE antes que pueda usarse para avisarle al usuario ante una condición potencialmente peligrosa.

- a. Para ENCENDER el instrumento de protección personal, presione y mantenga presionado el botón "TEST" por tres segundos.
 - "En la pantalla se mostrará ON" (encendido) durante ese período de tiempo.

NOTA: La versión para fundiciones de acero no puede APAGARSE sin quitar la batería.

4. Durante tres segundos se mostrará "ALARM", "SET", "?".
5. Para cambiar manualmente los valores predeterminados de alarma, presione el botón una vez mientras que se muestra "ALARM", "SET", "?".

NOTA: Si no se presiona el botón TEST, el instrumento se ENCIENDE como de costumbre después de tres segundos.

6. La versión del software se muestra por tres segundos.
7. El tipo de gas se muestra por tres segundos.
["CO", "CO+" (versión de fundición de acero), "H₂S", u "O₂", etc.].
8. Los valores predeterminados de alarma se muestran:
 - **El valor predeterminado para la alarma de concentración baja** por tres segundos
 - Los íconos LO (baja) y ALARM (alarma) se encienden.

- a. Para cambiar el valor predeterminado para la alarma de concentración baja, pulse el botón "TEST" cuando se muestre "LO" "ALARM":
 - Se mostrará "LO" "ALARM" "SET" "?".
 - b. Presione el botón TEST en una sucesión rápida para incrementar el valor de alarma de concentración *baja*.
 - Para incrementar a valores grandes puede mantener presionado el botón TEST.
 - c. Una vez mostrado el valor correcto, libere el botón "TEST" y espere tres segundos para continuar.
- **El valor predeterminado para la alarma de concentración alta** por tres segundos.
 - Los íconos HI (alta) y ALARM (alarma) se encienden.
 - a. Para cambiar el valor predeterminado para la alarma de concentración alta, pulse el botón "TEST" cuando se muestre "HI" "ALARM":
 - Se mostrará "HI" "ALARM" "SET" "?".
 - b. Presione el botón TEST en una sucesión rápida para incrementar el valor de alarma de concentración *alta*.
 - Para incrementar a valores grandes puede mantener presionado el botón TEST.
 - c. Una vez mostrado el valor correcto, libere el botón "TEST" y espere tres segundos para continuar.
- En la pantalla se muestran los **límites de exposición a corto plazo** o "STL"; y después el valor predeterminado del STEL por tres segundos.
 - a. Para cambiar el valor predeterminado del STEL, presione el botón "TEST" cuando dicho valor sea mostrado.
 - En la pantalla se muestra "ALARM" "SET", "?".
 - b. Presione el botón TEST en una sucesión rápida para incrementar el valor de alarma de STEL.
 - Para incrementar el valor de la alarma del STEL puede mantener presionado el botón TEST.
 - c. Una vez mostrado el valor deseado, libere el botón "TEST" y espere tres segundos para continuar.
 - En la pantalla se muestra el **promedio de tiempo ponderado** o "TWA"; y después el valor predeterminado del TWA por tres segundos.

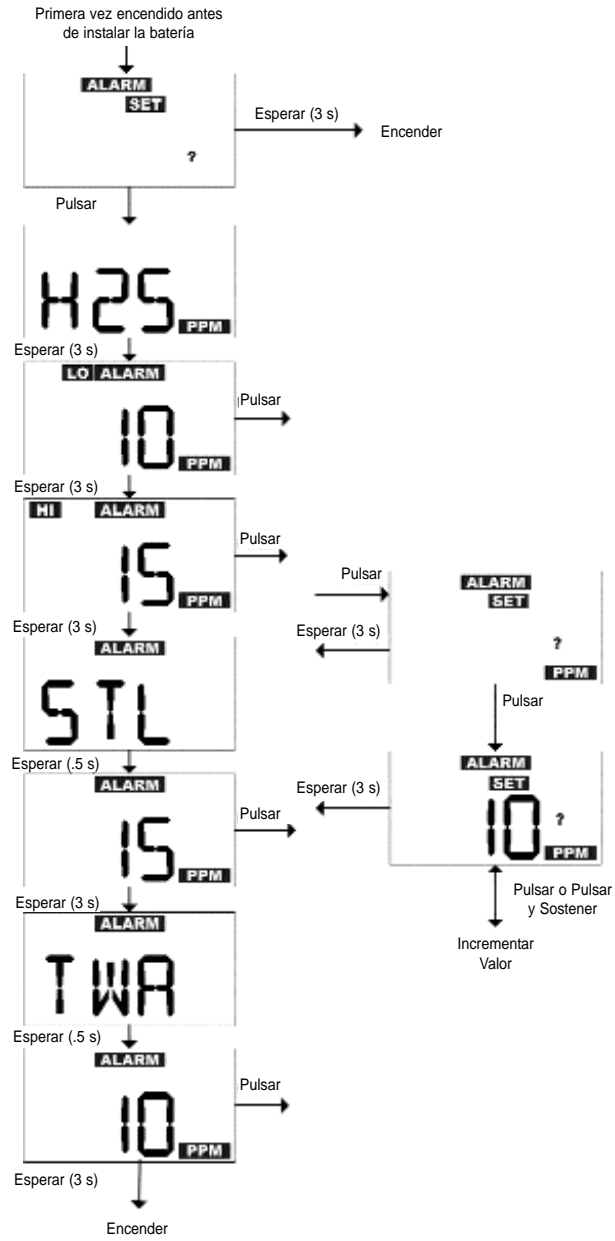


Figura 2-3. Configuración del ALTAIR Pro

- a. Para cambiar el valor predeterminado del TWA, presione el botón "TEST" cuando dicho valor sea mostrado.
 - En la pantalla se muestra "ALARM""SET","?".
- b. Presione el botón TEST en una sucesión rápida para incrementar el valor de alarma de TWA.
 - Para incrementar el valor de la alarma del TWA puede mantener presionado el botón TEST.
- c. Una vez mostrado el valor deseado, libere el botón "TEST" y espere tres segundos para continuar.

Encendido del Detector de un solo gas ALTAIR Pro

1. La unidad debe ENCENDERSE antes de que pueda usarse para avisarle al usuario ante una condición potencialmente peligrosa.
 - a. Para ENCENDER el instrumento de protección personal, presione y mantenga presionado el botón TEST por tres segundos.
 - En la pantalla se mostrará "ON" (encendido) durante ese período de tiempo.

NOTA: La versión para fundiciones de acero no puede APAGARSE sin quitar la batería o usando el software FiveStar LINK. La versión de software más actualizada puede descargarse de la página Web de MSA en: www.msanet.com

2. Ocurrirá lo siguiente:
 - una prueba de funcionamiento de la pantalla LCD activará los segmentos de la celda.
 - la bocina, los LED y el vibrador también se activarán.
3. Se mostrará por tres segundos la versión del Software.
4. El tipo de gas del instrumento se mostrará por tres segundos ("CO", "H₂S" o "O₂", etc.).
5. Los valores predeterminados para las alarmas muestran:
 - **El valor predeterminado para la alarma de concentración baja** por tres segundos
 - Los íconos "LO" y "ALARM" se encienden.
 - **El valor predeterminado para la alarma de concentración alta** por tres segundos.
 - Los íconos "HI" y "ALARM" se encienden.

6. En la pantalla se muestra el ícono del límite de exposición a corto plazo, STL y el de "ALARMA", seguido por el valor predeterminado de alarma del STL por tres segundos.
7. En la pantalla se muestra el ícono del promedio de tiempo ponderado o "TWA"; y el de "ALARMA", seguido por el valor predeterminado de alarma del TWA por tres segundos.
8. Si la calibración debida (CAL DUE) está habilitada a través del software FiveStar LINK (por omisión no está habilitada):
 - Se muestra "CAL" y el reloj de arena.
NOTA: Vea la FIGURA 2-4 para los detalles.
 - Si se debe la calibración, se mostrará "DUE" y el reloj de arena por tres segundos.
 - El instrumento pita y destella "CAL" "DUE" cada minuto hasta que se haga la calibración del mismo.
 - Si no se debe la calibración, se mostrará el reloj de arena, los días que faltan para la calibración y "DAYS" (días).
9. Al usuario se le pide hacer una Configuración de aire limpio (FAS):
 - En la pantalla se muestra el ícono de "SET", "?" y FAS.
Si se desea hacer una configuración de aire limpio, presione inmediatamente el botón TEST.
 - En la pantalla se muestra el ícono de "HOURGLASS", "SET" y FAS.
Si el usuario *no* desea una FAS, NO PRESIONE el botón TEST:
 - El instrumento continuará la secuencia de encendido.
NOTA: Cuando realice una configuración de aire limpio, el instrumento debe encontrarse en un aire que se sepa que esté limpio. La configuración del aire limpio tiene límites. Si hay presente un nivel de gas peligroso, el instrumento ALTAIR Pro muestra "FAS / ERR". Presione el botón TEST para reconocer el error y calibre el instrumento.
10. Si el instrumento fue configurado para detectar oxígeno, mostrará:
 - la lectura de oxígeno
 - el ícono de %
 - el indicador de la bateríaSi el instrumento está configurado para un gas tóxico, mostrará:
 - la lectura del gas

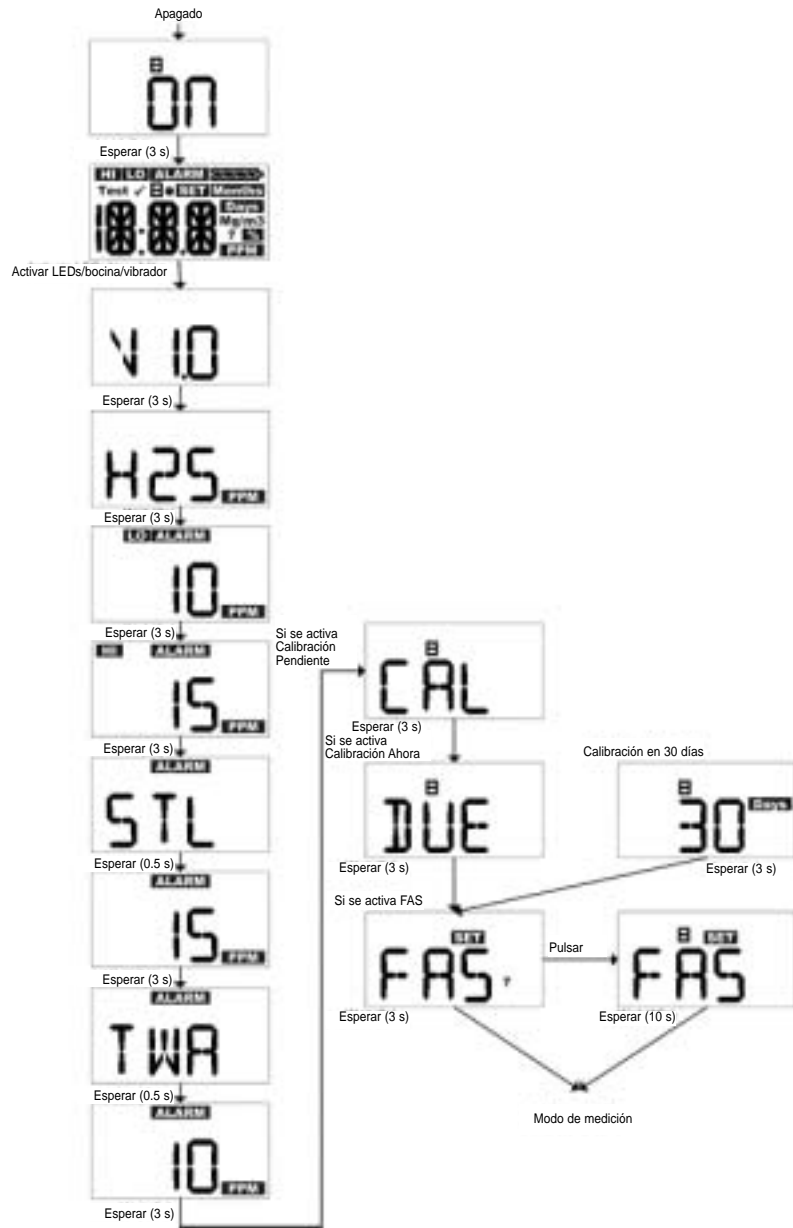


Figura 2-4. Diagrama de flujo del encendido del ALTAIR Pro

- El ícono de ppm
- el indicador de la batería

Indicador de duración de la batería (vea la FIGURA 2-2)

- El ícono de condición de la batería se muestra continuamente en la esquina superior derecha de la pantalla.
- A medida que la carga de la batería se agota, segmentos del ícono de la batería se vacían hasta que queda sólo el esbozo vacío de dicho ícono.
 - Cada segmento del indicador de batería representa aproximadamente un cuarto de la capacidad total de la batería.

Advertencia de carga de batería baja

- Una advertencia de carga de batería baja indica que quedan dos días nominales de operación antes de que la batería del instrumento se agote.

NOTA: El tiempo restante que le queda al instrumento durante una advertencia de carga de batería baja depende de:

- La temperatura ambiente (temperaturas más frías podrían reducir el tiempo de duración de la batería).
- La cantidad de alarmas y duración de las mismas durante una advertencia de batería baja.
- Cuando la unidad ALTAIR Pro pasa al estado de advertencia de batería:
 - El indicador de la batería parpadea.
 - Una alarma suena cada 30 segundos.
 - Las luces de alarma parpadean cada 30 segundos.

CUIDADO

Durante una condición de advertencia de batería baja, prepárese para abandonar el área de trabajo porque el instrumento en cualquier momento podría ponerse en el estado de batería agotada resultando en la pérdida de la función de detección.

Batería agotada

- Cuando la batería no pueda alimentar más al instrumento, éste pasa al modo de batería agotada:

- El indicador de la batería parpadea.
- El ícono de alarma se enciende
- La alarma suena cada 30 segundos
- Las luces de alarma parpadean.
- No se muestra ninguna lectura de gas
- Se muestra alternadamente entre “BAT” y “ERR”
- No se puede ver ninguna otra página del instrumento.
- El instrumento permanece en ese estado hasta que:
 - Se APAGUE o
 - La batería se haya agotado completamente.
- Las luces de alarma y la sirena pueden silenciarse presionando el botón TEST.

ADVERTENCIA

Si se produce una condición de batería agotada, deje de usar el instrumento y abandone el área inmediatamente. El instrumento no le alertará la presencia de riesgos potenciales porque no tiene energía suficiente para funcionar correctamente

El incumplimiento con esta advertencia, podría resultar en una lesión personal grave o la muerte.

- Cuando la batería del instrumento se esté quedando sin carga, retire el instrumento del servicio y cambie la batería.

Indicador de confianza (vea la Figura 2-2)

- El indicador de confianza parpadea una vez cada 60 segundos para notificar al usuario que el instrumento está encendido y funcionando normalmente. Además, los dos LED destellarán brevemente cada 60 segundos.

Luz de fondo

- La luz de fondo puede activarse manualmente con presionar ligeramente el botón TEST.
- La luz de fondo permanece encendida por 10 segundos.

Alarmas del ALTAIR Pro

Mediciones de gases tóxicos (vea la FIGURA 2-1)

El Detector ALTAIR Pro puede comprarse para detectar en la atmósfera los siguientes gases:

- Monóxido de carbono (CO), o
 - Sulfuro de hidrógeno (H₂S)
 - Dióxido de azufre (SO₂)
 - Dióxido de nitrógeno (NO₂)
 - Amoníaco (NH₃)
 - Fosfeno (PH₃)
 - Cianuro de hidrógeno (HCN)
 - Cloro (Cl₂)
 - Dióxido de cloro (ClO₂)
- El Detector ALTAIR Pro muestra la concentración de gas en partes por millón (ppm) en la página de medición.
 - El instrumento permanece en esa página hasta que se seleccione otra o hasta que sea apagado.
 - En el instrumento hay cuatro valores predeterminados para las alarmas:
 - Alarma de alta concentración de gas
 - Alarma de baja concentración de gas
 - Alarma de STEL
 - Alarma de TWA
 - La luz de fondo se enciende por 20 segundos durante una condición de alarma.
1. Si la concentración del gas alcanza o excede el valor predeterminado para la concentración baja:
 - El instrumento hará lo siguiente:
 - mostrará y destellará "LO" y "ALARM" en la pantalla LCD.
 - entrará en la secuencia de alarma de concentración baja.
 - La alarma de baja concentración puede silenciarse por cinco minutos pulsando el botón "TEST". Esto despejará automáticamente una vez que el nivel de gas caiga por debajo del valor predeterminado.

2. Si la concentración del gas alcanza o excede el valor predeterminado para la concentración alta:
 - El instrumento hará lo siguiente:
 - mostrará y destellará “HI” y “ALARM” en la pantalla LCD.
 - entrará en la secuencia de alarma de concentración alta.
 - La alarma de concentración alta puede silenciarse por cinco segundos presionando el botón TEST mientras que todavía esté en alarma de alta concentración.
 - La alarma de alta concentración se bloquea y no se reposicionará cuando la concentración de gas caiga por debajo del punto predeterminado de concentración ALTA.

NOTA: Para reposicionar la alarma, presione el botón TEST después que el nivel del gas caiga por debajo del valor predeterminado.
 - Consulte el instrumento durante el encendido para los valores predeterminados de fábrica para las alarmas.
 - Si la concentración de un gas excede el valor predeterminado de su alarma:
 - Una alarma audible suena.
 - Las luces de alarma parpadean.
 - El vibrador se activa
 - Se muestra el tipo de alarma, y alternadamente parpadea el ícono de ALARM y el:
 - ícono LO (si el valor predeterminado de la alarma de concentración baja fue excedido).
 - ícono HI (si el valor predeterminado de alarma para la concentración alta fue excedido).
3. Si la lectura del STEL (límite de exposición a corto plazo) alcanza o excede el valor predeterminado de alarma para el STEL:
 - El instrumento hará lo siguiente:
 - mostrará y destellará “LO” y “ALARM” en la pantalla LCD.
 - entrará en la secuencia de alarma de concentración baja.
 - La alarma de STEL puede silenciarse por cinco segundos presionando el botón TEST mientras que todavía esté en alarma.
 - La alarma del STEL no será bloqueada y se reposicionará cuando su lectura caiga por debajo del valor predeterminado del STEL.

- El valor del STEL puede despejarse. (Vea la FIGURA 2-5 para los detalles).
 - La alarma de STEL puede desactivarse usando el software FiveStar LINK. La versión de software más actualizada puede descargarse de la página Web de MSA en: www.msanet.com
4. Si la lectura del TWA (promedio de tiempo ponderado) alcanza o excede el valor predeterminado de alarma para el TWA:
- El instrumento hará lo siguiente:
 - mostrará y destellará “LO” y “ALARM” en la pantalla LCD.
 - entrará en la secuencia de alarma de concentración baja.
 - La alarma de TWA puede silenciarse por cinco segundos presionando el botón TEST mientras que todavía esté en alarma.
 - La alarma del TWA se bloquea y no se reposicionará.
 - El valor del TWA puede despejarse. (Vea la FIGURA 2-5 para los detalles).
 - La alarma de TWA puede desactivarse usando el software FiveStar LINK.
 - Consulte el instrumento durante el modo de prueba para los valores predeterminados en la fábrica para las alarmas.

ADVERTENCIA

Si se llega a una condición de alarma de oxígeno o gas tóxico cuando se está usando el instrumento como monitor personal o de área, abandone el área inmediatamente: porque la condición ambiental ha alcanzado el nivel de alarma preestablecido. El incumplimiento con esta advertencia, producirá una sobreexposición a gases tóxicos que puede resultar en una lesión personal grave o la muerte.

Mediciones de oxígeno

- El Detector ALTAIR Pro puede comprarse para medir la concentración de oxígeno en una atmósfera.
 - El valor mostrado es el por ciento por volumen de oxígeno en la atmósfera.
 - Los valores predeterminados para las alarmas de concentración de gas alta y baja pueden configurarse para activar una alarma ante cualquier combinación de concentración de oxígeno:
 - enriquecimiento (mayor de 20,8 %), o

- empobrecimiento (menor de 20,8 %).
- Cuando se alcanza un valor predeterminado de alarma:
 - Una alarma audible suena.
 - Las luces de alarma parpadean.
 - El vibrador se activa
 - El tipo de alarma es mostrado, parpadeando alternadamente el ícono ALARM y el ícono de concentración de gas LO o HIGH, dependiendo de cómo fueron establecidas las alarmas baja y alta.
 - La alarma de concentración baja indica:
 - el nivel más bajo del %O₂ de los dos valores fijados de las alarmas
 - una condición más urgente y la secuencia de alarma más rápida será indicada.
 - Se mostrará "LO" "ALARM".

NOTA: La alarma de BAJA concentración (la más baja de los dos valores predeterminados de alarma del %O₂) se bloquea y no se reposicionará cuando la concentración de O₂ suba por encima del punto predeterminado de concentración BAJA.

- Para reposicionar la alarma, presione el botón TEST.

Pueden ocurrir falsas alarmas de oxígeno debido a los cambios de la presión barométrica (altitud) o cambios extremos de la temperatura ambiental. Se recomienda realizar una calibración de oxígeno a la temperatura y presión que el instrumento usa. Antes de realizar dicha calibración, asegúrese de que el instrumento se encuentre en un aire ciertamente limpio.

- Requisitos especiales para el Detector de Oxígeno Remoto ALTAIR PRO O₂-R:
 - Use este instrumento sólo a temperaturas ambientales que oscilen entre 0 °C y 40 °C (32 °F y 104 °F).
 - Si el instrumento se lleva a un ambiente donde la temperatura ambiental sea 15 °C (59 °F) o más por encima o por debajo de la temperatura del lugar donde estaba previamente, no lo use por un tiempo de 40 minutos para dejar que el sensor se ajuste a esas nuevas condiciones. Después de ese tiempo de 40 minutos, realice una configuración de aire fresco (FAS) para recalibrar el sensor a cero. Realice la FAS solamente en un lugar donde el aire esté limpio.

- Los cambios rápidos en la presión barométrica resultan en un corrimiento de la lectura del sensor por unos minutos. Si esto ocurre, no use el instrumento por un tiempo de cinco minutos. Luego, realice una configuración de aire fresco (FAS) para recalibrar el sensor a cero. Realice la FAS solamente en un lugar donde el aire esté limpio.

Acceso a las páginas del instrumento

Si presione el botón una sola vez y de forma rápida se encenderá la luz de fondo por 10 segundos. La página de información puede verse pulsando el botón TEST por alrededor de un segundo.

- El instrumento pita dos veces.

Para todas las versiones (excluyendo la versión para las fundiciones de acero):

- 1) Modo del gas de prueba
- 2) Mínima concentración de oxígeno ("LO") - sólo para el oxígeno.
- 3) Lectura pico
 - Tóxico ("HI")
 - Oxígeno ("HI")
 - Los valores pico/alto y mínimo/bajo pueden despejarse.
 - Cuando se muestra esta página, pulse el botón "TEST" para despejar.
 - Se mostrará "CLR".
- 4) Límite de exposición a corto plazo, STL
 - La lectura del STL muestra lo que el instrumento calculó desde que fue encendido.
 - Cuando se muestra esta página, pulse el botón TEST para despejar.
 - Se muestra "CLR".
 - El valor de STEL es restablecido automáticamente a cero cuando se ENCIENDE el instrumento.
 - El valor de STEL es calculado sobre un tiempo de exposición de 15 minutos.
 - Para calcular el valor de STEL se usa la siguiente fórmula:

(Valor PPM de minuto #1) + (Valor PPM de minuto #2) +....

(Valor PPM de minuto #15) / (15 minutos) = PPM del valor de STEL

- Si el instrumento está encendido por menos de 15 minutos:
 - el resto de los valores PPM del minuto se fija a cero y
 - el total se divide entre 15 minutos.

5) Promedio de tiempo ponderado, TWA.

- La lectura del TWA muestra lo que el instrumento ha calculado desde que fue encendido.
- Cuando se muestra esta página, pulse el botón TEST para despejar.
 - Se muestra "CLR"
- El valor de TWA es restablecido automáticamente a cero cuando se enciende el instrumento.
- El valor de TWA es calculado sobre un tiempo de exposición de ocho horas.
- Se usa la siguiente fórmula para calcular el valor de TWA:

Suma de las lecturas de gas de 1 minuto / 480 minutos (8 horas) = valor de TWA.

- Si el instrumento está encendido por menos de 8 horas (480 minutos), el resto de los valores de ppm del minuto se fija a cero,

6) Modo de IR.

- Cuando el instrumento muestra "IR?", pulse el botón para entrar al modo de IR.
- Si las comunicaciones de IR no se detectan por tres minutos o el botón TEST es pulsado, el instrumento saldrá de este modo.
- Vea la FIGURA 2-5 para los detalles adicionales.

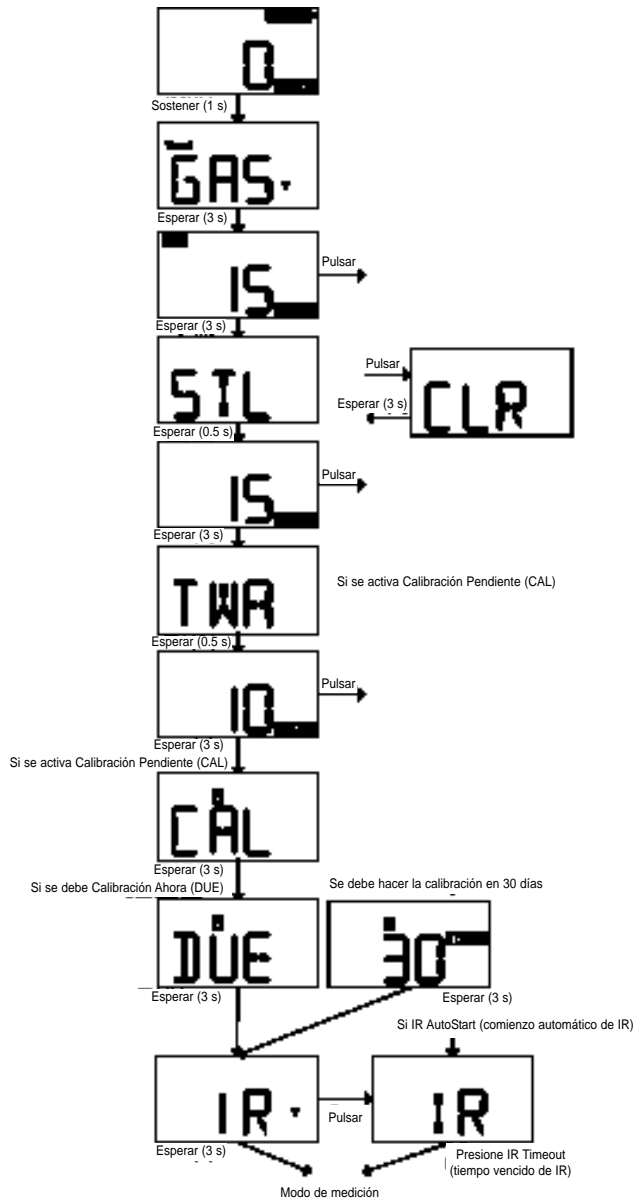
Sólo para la versión para fundiciones de acero:

- 1) Modo del gas de prueba
- 2) Comprobación del funcionamiento de la pantalla LCD, el vibrador, los LED y la bocina.
- 3) Se muestra la versión de software.
- 4) Tipo de gas
- 5) Valor predeterminado de alarma de concentración baja ("LO" "Alarm")
- 6) Valor predeterminado de alarma para la concentración alta ("HI" "Alarm")
- 7) Valor predeterminado de alarma de STL

- 8) Valor predeterminado de alarma de TWA
- 9) Lectura pico
- Tóxico (“HI”)
 - Los valores pico/alto y mínimo/bajo pueden despejarse.
 - Cuando se muestra esta página, pulse el botón “TEST” para despejar.
 - Se mostrará “CLR”.
- 10) Límite de exposición a corto plazo, STL
- La lectura del STL muestra lo que el instrumento calculó desde que fue encendido.
 - Cuando se muestra esta página, pulse el botón TEST para despejar.
 - Se muestra “CLR”.
 - El valor de STEL es restablecido automáticamente a cero cuando se ENCIENDE el instrumento.
 - El valor de STEL es calculado sobre un tiempo de exposición de 15 minutos.
 - Para calcular el valor de STEL se usa la siguiente fórmula:

$$\frac{(\text{Valor PPM de minuto \#1}) + (\text{Valor PPM de minuto \#2}) + \dots}{(\text{Valor PPM de minuto \#15}) / (15 \text{ minutos})} = \text{PPM del valor de STEL}$$
 - Si el instrumento está encendido por menos de 15 minutos:
 - el resto de los valores PPM del minuto se fija a cero y
 - el total se divide entre 15 minutos.
- 11) Promedio de tiempo ponderado, TWA
- La lectura del TWA muestra lo que el instrumento ha calculado desde que fue encendido.
 - Cuando se muestra esta página, pulse el botón TEST para despejar.
 - Se muestra “CLR”
 - El valor de TWA es restablecido automáticamente a cero cuando se enciende el instrumento.
 - El valor de TWA es calculado sobre un tiempo de exposición de ocho horas.
 - Se usa la siguiente fórmula para calcular el valor de TWA:

$$\text{Suma de las lecturas de gas de 1 minuto} / 480 \text{ minutos (8 horas)} = \text{valor de TWA.}$$



**Figura 2-5. Acceso a las páginas del ALTAIR Pro
(No se aplica a la versión para las fundiciones de acero)**

- Si el instrumento está encendido por menos de 8 horas (480 minutos), el resto de los valores de ppm del minuto se fija a cero,

12) Modo de IR.

- Cuando el instrumento muestra “IR?”, pulse el botón para entrar al modo de IR.
- Si las comunicaciones de IR no se detectan por tres minutos o el botón TEST es pulsado, el instrumento saldrá de este modo.
- Vea la FIGURA 2-5 para los detalles adicionales.

Apagado del Detector ALTAIR Pro

1. Pulse y mantenga pulsado el botón TEST por tres segundos.
 - Se muestra “OFF” y el reloj de arena.
2. Continúe pulsando el botón TEST por dos segundos más.
 - El instrumento se APAGA.

NOTA: La versión para fundiciones de acero no puede APAGARSE sin quitar la batería.

Registro de datos

Registro de sesión

- El instrumento Detector de un gas ALTAIR Pro tiene la capacidad de registrar 50 de los eventos más recientes.

Para transferir datos a una PC, presione el botón TEST por un segundo.

- Las páginas del instrumento comienzan a mostrarse.
- Ponga el instrumento en el modo IR (vea la Figura 2-5).
- Los eventos serán transferidos a la PC durante esta secuencia si:
 - la parte de arriba del instrumento se apunta hacia el dispositivo de recepción de la señal infrarroja (IR).
 - una PC está ejecutando el software MSA FiveStar Link (N/P 710946)
 - se pulsa “CONNECT” (conectar) en el paquete de software de la PC FiveStar LINK.
- Se registran los siguientes eventos:
 - Alarma - Tipo de alarma - Valor de alarma - Hora/Fecha
 - Alarma despejada - Tipo de alarma - Valor de alarma - Hora/Fecha

- Calibración (Pasa/No pasa) - Hora/Fecha
- Funcionamiento (Pasa/No pasa) - Hora/Fecha
- Error - Tipo de error (vea la lista de errores) - Hora/Fecha

Registro periódico

- Las lecturas del gas pico se registran periódicamente basándose en los valores fijados por el usuario en la PC. (Por omisión se toma una muestra cada tres minutos.)
- Vea la TABLA 6-3 para el rendimiento típico.

NOTAS:

- La hora y fecha corresponden a la hora y fecha de la PC. Asegure de que la PC esté correcta antes de comunicarse con el instrumento.
- El cambio de la batería del instrumento puede resultar en la pérdida de tiempo en el registro de datos.
- Después de cambiar las baterías, verifique la hora y fecha de su PC.

Capítulo 3: Comprobaciones de las funciones del ALTAIR Pro

Indicador de confianza y latido del corazón

- Las luces de las alarmas y el indicador del latido del corazón en la pantalla destellarán aproximadamente cada 60 segundos para indicar que el Detector ALTAIR Pro está funcionando.

Prueba de alarmas

- Revise diariamente antes del uso.
- Pulse el botón "TEST" momentáneamente. Ocurrirá una prueba de las alarmas por un segundo que incluye:
 - pantalla
 - luces de alarmas
 - vibrador
 - bocina.
- Si estos componentes no se activan, retire el instrumento del servicio.

NOTA: Sólo para la versión de fundiciones de acero: la prueba de alarma ocurre cada vez que se presione el botón por un tiempo de un segundo.

Prueba de funcionamiento

- Revise diariamente antes del uso.
- Mantenga presionado el botón TEST (prueba) por dos segundos:
 - las versiones de detección de oxígeno mostrarán la lectura actual del oxígeno. Calibre la unidad si lee otro valor que no sea 20.8%.
 - Se mostrará "TEST" "GAS" "?".
- Pulse de nuevo el botón "TEST" mientras se muestra "TEST" "GAS" "?" para activar el modo de Prueba de Funcionamiento.
 - se mostrará el reloj de arena y "GAS".
- Aplique el gas solamente **DESPUÉS** de haberse mostrado el reloj de arena y "GAS".
 - Si se detecta gas, la pantalla mostrará "OK".

NOTA: Vea la TABLA 3-1 para los gases aplicados.

- Espere aproximadamente cinco segundos:
 - La palomita “√” que aparece en la pantalla:
 - indica que el instrumento pasó la prueba de funcionamiento.
 - permanece por 24 horas indicando que en este instrumento se realizó una prueba de funcionamiento en las últimas 24 horas.

NOTA: Vea la FIGURA 3-1 para los detalles.

- Si la palomita “√” no aparece y se indica un error “ERR”:
 - Revise que:
 - la entrada del sensor no esté atascada.
 - se use un cilindro de calibración correcto para hacer la prueba de funcionamiento.
 - el cilindro de gas no se haya vencido o esté vacío.
 - el gas fue aplicado en el momento correspondiente.
 - la tubería de gas esté asentada en la caja frontal del instrumento durante la prueba.
 - Repita el proceso de prueba de funcionamiento según sea necesario.
- Si la palomita “√” no aparece, calibre el instrumento y repita la prueba de funcionamiento.

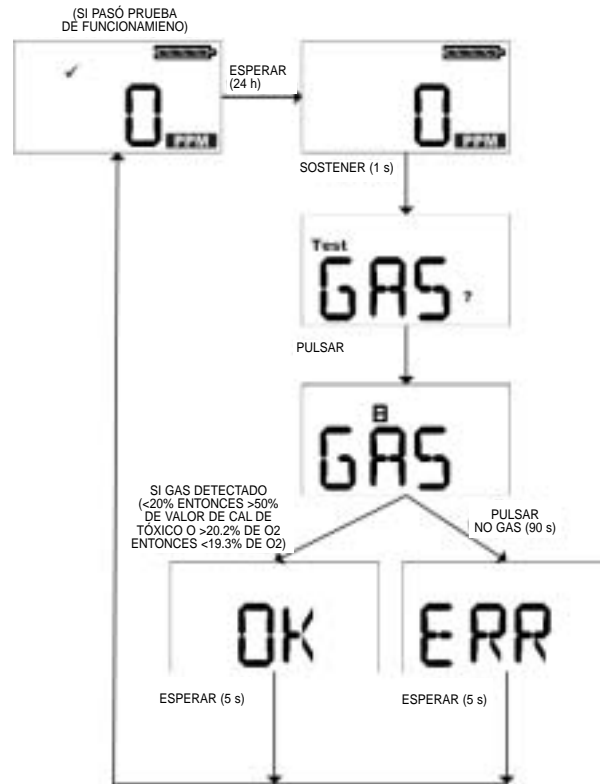


Figura 3-1. Diagrama de flujo de la prueba de funcionamiento

Tabla 3-1: Valores por omisión de pruebas de calibración/funcionamiento establecidos en la fábrica.

TIPO DE INSTRUMENTO	GAS DE PRUEBA DE FUNCIONAMIENTO	GAS DE CALIBRACIÓN
CO	60 ppm	60 ppm
H ₂ S	40 ppm	40 ppm
O ₂ y O ₂ -R	<19%*	20.8%
SO ₂	10 ppm	10 ppm
NO ₂	10 ppm	10 ppm
NH ₃	25 ppm	25 ppm
PH ₃	0.5 ppm	0.5 ppm
HCN	10 ppm	10 ppm
Cl ₂	10 ppm	10 ppm
ClO ₂	2 ppm Cl ₂	0.8 ppm ClO ₂ **

* La prueba de funcionamiento del O₂ también puede realizarse exhalando directamente a la entrada del sensor por aproximadamente tres a cinco segundos.

** MSA recomienda hacer la calibración del Detector ALTAIR Pro de ClO₂ usando un generador de Cl₂ para que se obtenga la calibración más precisa. Este instrumento tiene un factor de sensibilidad cruzada para el Cl₂ de: 2 ppm Cl₂ es igual a 0.8 ppm ClO₂ aproximada.

Capítulo 4: Calibración del Detector de un gas ALTAIR Pro

ADVERTENCIA

Los reguladores y tubo utilizados para la prueba de revisión del funcionamiento y calibración de Cl₂, ClO₂, NH₃, HCN o PH₃ deben marcarse por parte del usuario para ese gas específica y debe usarse exclusivamente para ese gas en el futuro.

- El Detector de un gas ALTAIR Pro está diseñado como un instrumento que no necesita mantenimiento, pero debe calibrarse si no pasa la prueba de funcionamiento o si la calibración es algo exigido por los procedimientos locales.
- Para los instrumentos de detección de oxígeno, realice la calibración si:
 - se producen cambios en la presión barométrica (cambios de altitud)
 - hay cambios extremos en la temperatura ambiental y la humedad (vea la TABLA 6-2: "Especificaciones del instrumento").
 - el instrumento no pasa una prueba de funcionamiento.
 - se requiere hacer una calibración a ciertos intervalos según procedimientos locales.
 - Requisitos especiales para el Detector de Oxígeno Remoto ALTAIR PRO O₂-R:
 - Use este instrumento sólo a temperaturas ambientales que oscilen entre 0 °C y 40 °C (32 °F y 104 °F).
 - Si el instrumento se lleva a un ambiente donde la temperatura ambiental sea 15 °C (59 °F) o más por encima o por debajo de la temperatura del lugar donde estaba previamente, no lo use por un tiempo de 40 minutos para dejar que el sensor se ajuste a esas nuevas condiciones. Después de ese tiempo de 40 minutos, realice una configuración de aire fresco (FAS) para recalibrar el sensor a cero. Realice la FAS solamente en un lugar donde el aire esté limpio.

- Los cambios rápidos en la presión barométrica resultan en un corrimiento de la lectura del sensor por unos minutos. Si esto ocurre, no use el instrumento por un tiempo de cinco minutos. Luego, realice una configuración de aire fresco (FAS) para recalibrar el sensor a cero. Realice la FAS solamente en un lugar donde el aire esté limpio.
- Para los instrumentos de detección de gases tóxicos (CO y H₂S), haga una calibración si algo de lo siguiente ocurre:
 - golpe físico
 - uso prolongado a temperaturas extremas
 - exposición a altas concentraciones
 - el instrumento no pasa una prueba de funcionamiento.
 - se requiere hacer una calibración a ciertos intervalos según procedimientos locales.

Calibración de instrumentos detectores de gases tóxicos

CUIDADO

Debido a la alta reactividad del Cl₂ y ClO₂, el gas, la humedad ambiental y el material del tubo de calibración pueden reaccionar con el gas y causar que la lectura de la concentración sea más baja que la concentración real. Por lo tanto, es necesario usar un tubo seco cuando se calibra o comprueba el funcionamiento con esos gases. Para obtener la mejor calibración, use el tubo más corto posible para conectarse al cilindro de calibración para estos gases.

- Para entrar al modo de calibración, asegúrese de que está en un medio donde el aire esté limpio y no contaminado. Vea la FIGURA 4-1 para los detalles.
 1. En el modo de operación normal, pulse el botón “TEST” por dos seconds.
 - Se mostrará “TEST” “GAS” “?”.
 2. Pulse y mantenga presionado el botón “TEST” por tres segundos cuando se muestre “TEST” “GAS” “?”.
 - Se mostrará en pantalla “TEST” “CAL”.

- Después de tres segundos, se muestra "FAS" "?" que le pregunta al usuario si desea una configuración/calibración de aire limpio.
3. Pulse el botón "TEST" para entrar a la calibración de cero.

NOTA: De lo contrario, el instrumento regresará al modo de operación normal.
 4. Durante la calibración de cero:
 - se mostrarán el reloj de arena y "FAS".
 - Si el instrumento se calibra satisfactoriamente:
 - Se muestra "OK".
 - Si el instrumento no se calibra satisfactoriamente:
 - Se muestra "ERR"
 - el instrumento regresa al modo de operación normal después de cinco segundos.
 5. Una vez que el instrumento es calibrado satisfactoriamente y se muestra "OK", pulse el botón "TEST" para entrar a la calibración.
 - Se muestra "CAL" "?".
 6. Mientras que se muestre "CAL" "?", pulse el botón "TEST" para entrar al modo de calibración de gas.
 - El gas de prueba actual esperado es mostrado (en ppm).
 - a. Para cambiar el gas de calibración esperado:
 - 1) Pulse el botón "TEST".
 - "TEST" "SET" "?" se muestra "ppm".
 - 2) Presione el botón TEST en una sucesión rápida para incrementar el valor.
 - Para incrementar a valores grandes puede mantener presionado el botón TEST.
 - 3) Espere tres segundos para regresar al modo de calibración.
 - b. Aplique el gas correspondiente.
 - La pantalla conmuta entre la lectura actual del gas, el reloj de arena y "CAL".
 - Una vez que el instrumento pasa la calibración, se muestra "OK". El tiempo de calibración depende del sensor instalado. Consulte la TABLA 6-2.
 - De lo contrario, se muestra "ERR".

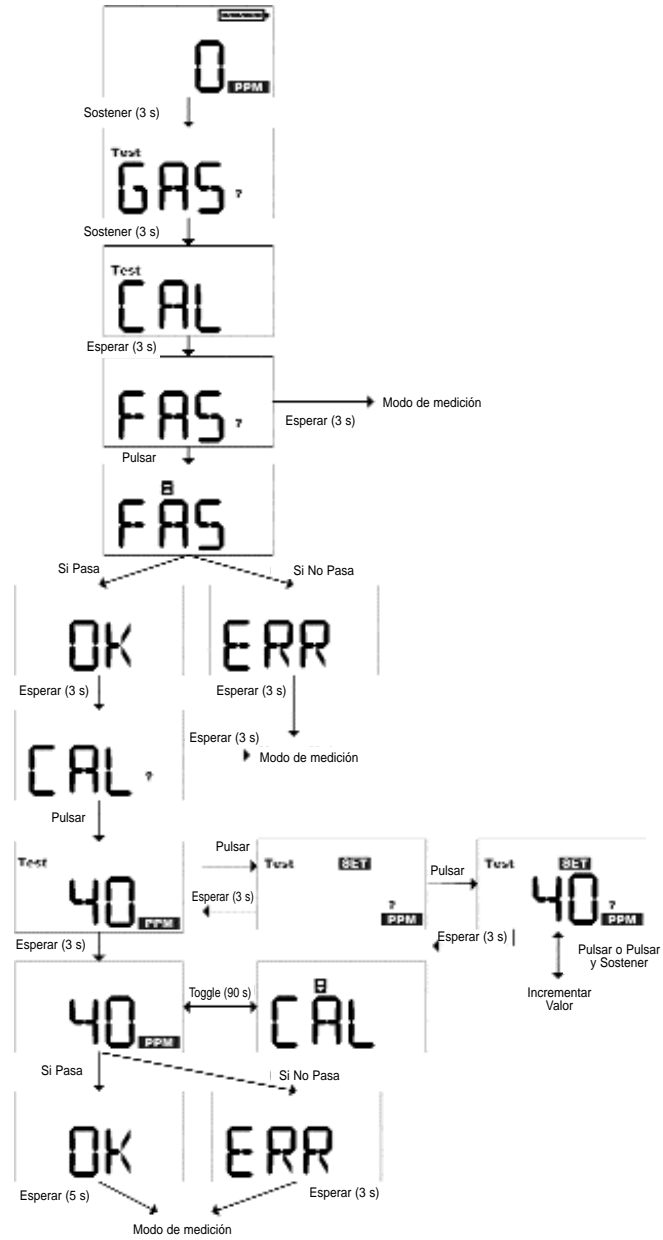


Figura 4-1. Diagrama de flujo de la calibración (de gases tóxicos)

- Espere cinco segundos para regresar al modo de operación normal.

ADVERTENCIA

Las concentraciones de gas esperadas deben corresponder con las concentraciones de gas indicadas en el cilindro o los cilindros de calibración. Si se incumple con esta advertencia, se producirá una calibración incorrecta que puede resultar en una lesión personal grave o la muerte.

- c. Si después de la calibración se muestra “ERR”, los valores fijados actuales no cambiaron. Revise de inmediato que:
 - El cilindro de calibración coincida con el valor de calibración esperado en el instrumento.
 - El cilindro de calibración no esté vacío o vencido.
 - El regulador esté funcionado a 0.25 litros/minuto.
 - La tubería esté asentada en la caja frontal del instrumento durante el modo de calibración del gas.
 - Si es necesario, repita los pasos 1 al 6.
 - La pantalla debe mostrar “OK”. Si “ERR” continúa mostrándose, retire el instrumento del servicio.
- d. Realice una prueba de funcionamiento para confirmar la operación y activar “√”.

Calibración de un instrumento detector de oxígeno

- Las alarmas falsas de oxígeno pueden ocurrir debido a cambios en la presión barométrica (cambios de altitud) o cambios extremos en la temperatura ambiental.
- El Detector ALTAIR Pro está equipado con una función que permite la calibración a la presión y/o temperatura de uso.
- Antes de realizar dicha calibración, asegúrese de que el instrumento se encuentre en un aire ciertamente limpio.

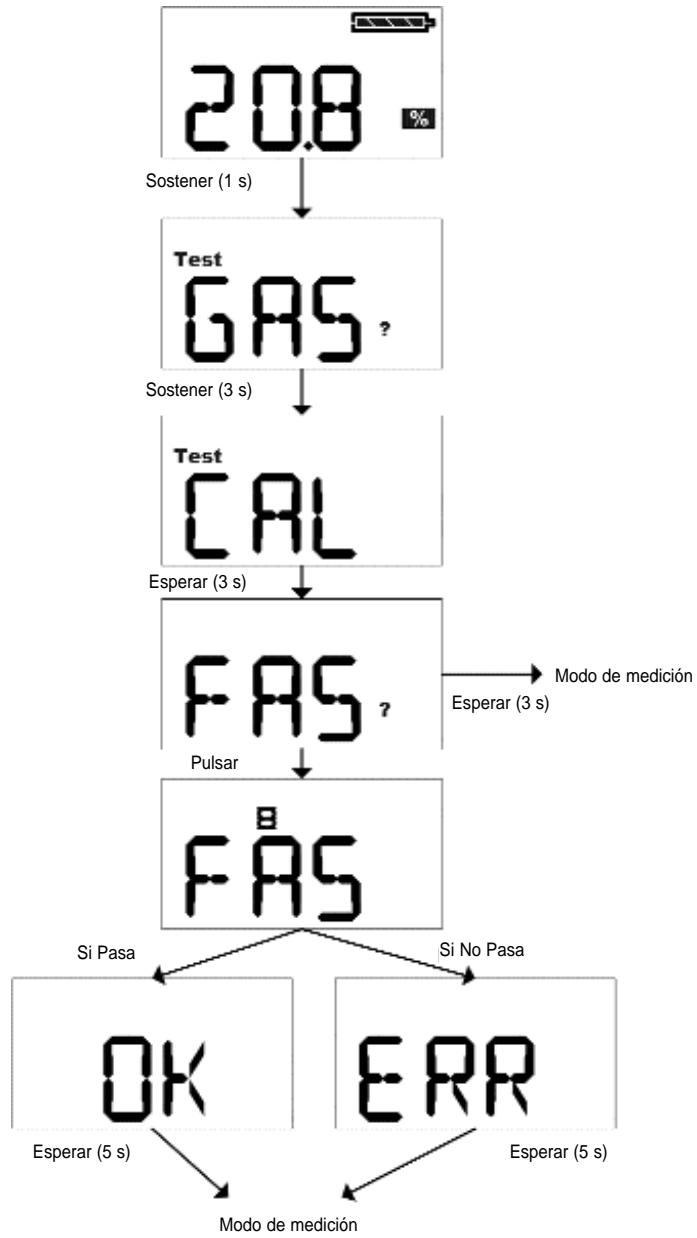
Para entrar al modo de calibración, asegúrese de que está en un medio donde el aire esté limpio y no contaminado.

1. En el modo de operación normal, mantenga el botón TEST presionado por dos segundos.
 - Vea la FIGURA 4-2 para los detalles.
2. Cuando se muestre “TEST” “GAS” “?”, pulse el botón “TEST” y manténgalo presionado para entrar a la calibración.
 - “TEST” “CAL” se muestra

- Después de tres segundos, se muestra "FAS" "?" que le pregunta al usuario si desea una configuración/calibración de aire limpio.
3. Pulse el botón TEST en la pantalla "FAS" "?" para realizar una calibración al 20.8 % de O₂.

NOTA: Este procedimiento debe realizarse en un aire limpio o fresco y sin contaminación. No respire directamente al sensor mientras realice esta función.

 - Si el instrumento se calibra satisfactoriamente:
 - Se muestra "OK".
 - Si el sensor no se calibra satisfactoriamente:
 - Se muestra "ERR".
 4. Espere cinco segundos.
 - El instrumento regresa al modo de operación normal
 5. Si después de la calibración se muestra "ERR", los valores fijados actuales no cambiaron. Revise de inmediato que:
 - El instrumento esté en un aire limpio y sin contaminación durante el proceso de calibración.
 - Ninguna persona respira hacia el sensor durante la calibración.
 - Repita los pasos 1 al 6 si es necesario.
 6. La pantalla debe mostrar "OK". Si "ERR" continúa mostrándose, retire el instrumento del servicio.
 7. Realice una prueba de funcionamiento para confirmar la operación y activar "√".



Capítulo 5: Garantía, mantenimiento y detección y reparación de averías

Garantía de instrumentos portátiles de MSA

1. **Garantía:** MSA garantiza que este producto no tendrá defectos mecánicos ni estará elaborado defectuosamente por un período de dos (2) años a partir de la fecha de uso por primera vez del producto, siempre que se le dé mantenimiento y utilice de acuerdo con las instrucciones y/o recomendaciones dadas por MSA. La garantía no debe exceder dos años y seis meses a partir de la fecha de fabricación. La batería del instrumento no está cubierta bajo la garantía. Los sensores del instrumento se garantizan por un período según se describe en la tabla de abajo.

SENSORES	TÉRMINOS DE GARANTÍA
CO, CO Incendios, CO Acero, H ₂ S, O ₂ , O ₂ -R	30 meses a partir de la fecha de fabricación o 24 meses de la fecha del primer uso, lo que ocurra primero.
SO ₂ , NO ₂ , NH ₃ , PH ₃ , HCN, Cl ₂ , ClO ₂	18 meses a partir de la fecha de fabricación o 12 meses de la fecha del primer uso, lo que ocurra primero.

MSA deberá quedar libre de toda obligación bajo esta garantía en el caso de que las reparaciones o modificaciones hayan sido realizadas por personal que no sea el suyo o personal de servicio autorizado, o si la reclamación de la garantía es como resultado del abuso físico o mal uso del producto. Ningún agente, empleado o representante de MSA tiene alguna autoridad para comprometer a MSA con alguna afirmación, representación o garantía concerniente a las mercancías vendidas bajo este contrato. ÉSTA GARANTÍA SE OFRECE EN LUGAR DE TODAS LAS DEMÁS GARANTÍAS, YA SEAN EXPRESAS, TÁCITAS O REGLAMENTARIAS, Y SE LIMITA ESTRICTAMENTE A LAS CONDICIONES EXPUESTAS EN EL PRESENTE DOCUMENTO. EL VENDEDOR RENUNCIA ESPECÍFICAMENTE A TODA GARANTÍA DE COMERCIALIDAD O IDONEIDAD PARA UN PROPOSITO EN PARTICULAR.

2. **Recurso legal exclusivo:** Queda expresamente convenido que el recurso único y exclusivo del Comprador ante la violación de la garantía antes mencionada, por cualquier conducta agravante de MSA, o por cualquier otra causa de acción, será la reparación y/o el reemplazo de cualquier equipo o pieza mencionada aquí a la discreción de MSA, si resulta estar defectuoso después de la verificación hecha por MSA. Al Comprador se le proporcionarán equipos de repuesto y/o piezas sin costo alguno, libre a bordo (F.O.B) desde la fábrica de MSA. La negativa por parte de MSA de reparar satisfactoriamente cualquier producto que no está conforme no deberá causar que falle el propósito esencial del recurso legal que establece el presente documento.

3. **Exclusión de daños emergentes:** El Comprador entiende específicamente, y está de acuerdo, que bajo ningún concepto el MSA será responsable ante el Comprador por daños económicos, especiales, incidentales o emergentes, o pérdidas de ningún tipo, incluidas de manera exclusiva más no limitativa, la pérdida de ganancias anticipadas y cualquier otra pérdida causada por el no funcionamiento de las mercancías. Esta exclusión se aplica a las reclamaciones por la violación de garantía, conducta agravante o cualquier otra causa de acción contra MSA.

Detección y reparación de averías

El Detector de un Sólo Gas ALTAIR Pro funcionará de forma confiable cuando se maneje correctamente. Si el instrumento deja de funcionar, siga las Pautas para la detección y reparación de averías que se dan en la TABLA 5-1. Estas pautas indican las causas más probables por las que se puede producir un problema. Puede enviar los instrumentos que no funcionen y que estén bajo garantía a MSA:

- **MSA Instrument Division
Repair and Service Department
1000 Cranberry Woods Drive
Cranberry Township, PA 16066-5207
1-800-MSA-INST (1-724-776-8600)**

Para contactar a MSA International, llame a:

- **1-412-967-3000 ó 1-800-MSA-7777**

⚠ ADVERTENCIA

Reparación o alteración del Detector de un Gas ALTAIR Pro más allá de los procedimientos descritos en este manual o por cualquier persona no autorizada por MSA, podría causar que el instrumento no funcione adecuadamente. Cuando realice cualquier procedimiento de mantenimiento descrito en este manual, use únicamente piezas de repuesto originales de MSA. La sustitución de componentes puede dañar seriamente el funcionamiento del instrumento, puede alterar las características de seguridad intrínsecas o puede violar las aprobaciones de las agencias.

EL INCUMPLIMIENTO CON ESTA ADVERTENCIA PUEDE RESULTAR EN UNA LESIÓN PERSONAL GRAVE O LA MUERTE.

- El instrumento muestra un código de error si detecta un problema durante el arranque o el funcionamiento. Vea la TABLA 5-1 para obtener una breve descripción del error y la medida correctiva a tomar.
- Cuando se localiza un componente que no funciona, utilizando las pautas dadas, revise los "Procedimientos de reparación" que se dan más adelante en este capítulo para ver si dicho componente es reemplazable.

Tabla 5-1: Pautas para la detección y reparación de averías.

PROBLEMA	DESCRIPCIÓN	MEDIDA CORRECTIVA
LA PANTALLA CAMBIA ENTRE:		
TMP/ERR	Temperatura fuera de rango	Contacte a MSA durante el período de garantía.
AD/ERR	Error de retroalimentación del sensor	Contacte a MSA durante el período de garantía.
EE/ERR	EEPROM no funciona	Contacte a MSA durante el período de garantía.
PRG/ERR	Memoria del programa no funciona	Contacte a MSA durante el período de garantía.
RAM/ERR	RAM no funciona	Contacte a MSA durante el período de garantía.
LED/ERR	LED no funciona	Verifique la operación de los dos alarmas LEDs de alarma en la alarma.
VIB/ERR	Vibrador no funciona	Verifique la operación del vibrador en alarma
UNK/ERR	Error desconocido	Contacte a MSA durante el período de garantía.
UND/ERR	Sensor por debajo del rango	Calibre el instrumento
	Indicador de carga de la batería baja y pita cada 30 segundos.	Retírelo del servicio tan pronto como sea posible y cambie la batería.
	Indicador de alarma de batería baja de carga (bocina suena, LEDs se activan)	El instrumento dejó de detectar gas. Retírelo del servicio y cambie la batería.
/ERR		
SNS/ERR	Error del sensor	Calibre el instrumento. Si el instrumento no pasa la calibración, cambie el sensor.
El instrumento no se enciende.	Batería baja	Reemplace la batería.

Procedimientos de reparación

CUIDADO

Antes de manejar una tarjeta de circuito impreso, asegúrese de que usted esté bien conectado a tierra, de lo contrario las cargas estáticas de su cuerpo pueden dañar la electrónica. Tal daño no está cubierto por la garantía. Las correas y juegos de conexión a tierra están disponibles de los suministradores electrónicos.

Cambio de la batería del ALTAIR Pro

1. Quite los cuatro tornillos que fijan las mitades de la caja después de apagar el instrumento (excepto para la versión de Fundición de Acero).
2. Quite cuidadosamente la cubierta frontal para exponer la batería.
 - La tarjeta de circuito permanecerá en la mitad posterior de la caja.
 - No toque las conexiones de la pantalla (dos conectores azules).
3. Quite la batería gastada y ponga una especificada en la TABLA 6-2.
 - Asegúrese de prestarle atención a la polaridad de la batería, según se muestra en el portabaterías.
4. Vuelva a poner la tapa frontal asegurándose de que el sensor, la junta de bocina y la junta del sensor están bien asentados. Para el instrumento de O₂ remoto sólo, asegure que los pasadores del sensor en la caja frontal se alinean con los enchufes de la tarjeta de circuito en la parte de atrás de la caja.
5. Asegure que la interfaz y los conectores de la pantalla estén limpios y sin suciedad para que funcionen correctamente.
 - Si es necesario, puede limpiar los conectores de la pantalla con un paño limpio y sin pelusas.
6. Vuelva a colocar los cuatro tornillos.

NOTAS:

- El cambio de la batería del instrumento puede resultar en la pérdida de tiempo en el registro de datos.
- Después de cambiar las baterías, verifique la hora y la fecha con su PC a través del modo IR y el software FiveStar Link. Consulte el Capítulo 2 para obtener más detalles acerca de cómo ingresar al modo IR. Una vez que el instrumento se comuniqué a través de IR y el enlace FiveStar, la hora del instrumento se sincronizará automáticamente con la PC.

- La hora y fecha se basan en la hora y la fecha de la PC. Asegúrese de que la PC esté correcta antes de comunicarse con el instrumento.

 **CUIDADO**

No apriete demasiado los tornillos, de lo contrario la caja puede dañarse.

Cambio del sensor del ALTAIR Pro (Excepto la versión de O₂ remota)

1. Quite los cuatro tornillos que unen las mitades de la caja. después de apagar el instrumento (excepto para la versión de Fundición de Acero)
2. Sólo para la versión de Fundición de Acero: quite la batería antes de proceder con el reemplazo del sensor.
3. Quite cuidadosamente la cubierta frontal para exponer al sensor (ubicado cerca de la parte superior del instrumento, cerca de las luces de alarma).
4. Quite el sensor de sus receptáculos.
5. Instale un sensor nuevo en los receptáculos en la tarjeta de circuito impreso (puede instalarse sólo de una forma). Si el sensor de reemplazo está equipado con un clip para evitar "cortocircuitos", ésta debe quitarse antes de la instalación en el instrumento. Siente completamente el sensor contra la tarjeta.
6. Vuelva a poner la tapa frontal asegurándose de que el sensor, la junta de bocina y la junta del sensor están bien asentados.
7. Asegure que la interfaz y los conectores de la pantalla estén limpios y sin suciedad para que funcionen correctamente.
 - Si es necesario, puede limpiar los conectores de la pantalla con un paño limpio, suave y sin pelusas.
8. Vuelva a colocar los cuatro tornillos.

 **CUIDADO**

No apriete demasiado los tornillos, de lo contrario la caja puede dañarse.

9. El instrumento DEBE calibrarse como se describió previamente. Deje pasar 60 minutos como mínimo después de haber instalado un sensor nuevo para asegurar que alcance el equilibrio antes de calibrarlo.

⚠ CUIDADO

El nuevo sensor de repuesto debe tener el mismo número y tipo de pieza que el sustituido, de lo contrario resultará en un mal funcionamiento.

⚠ ADVERTENCIA

Una vez instalado el sensor se requiere hacer una calibración, de lo contrario el instrumento no rendirá como se espera y las personas cuya seguridad depende de este producto podrían sufrir una lesión personal grave o la muerte.

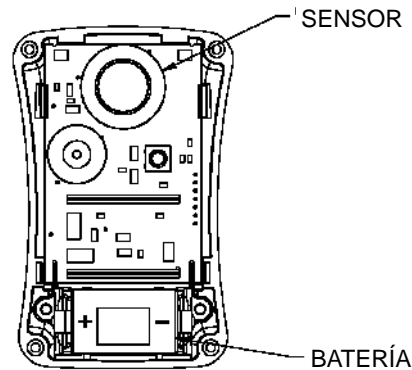


Figura 5-1. Reemplazo del sensor y la batería

Reemplazo del sensor de O₂ remoto del ALTAIR Pro

1. Asegure que el instrumento esté apagado.
2. Quite el sensor del ensamble del cable desenroscando el aditamento.
3. Acople el sensor nuevo al ensamble del cable y asegure que el aditamento esté bien apretado y el anillo tórico (N/P 635511) esté instalado en el enchufe del cable antes de poner el sensor.
4. El instrumento DEBE calibrarse como se describió previamente. Deje pasar 60 minutos como mínimo después de haber instalado un sensor nuevo para asegurar que alcance el equilibrio antes de calibrarlo.

⚠ CUIDADO

El nuevo sensor de repuesto debe tener el mismo número y tipo de pieza que el sustituido, de lo contrario resultará en un mal funcionamiento.

⚠ ADVERTENCIA

Una vez instalado el sensor se requiere hacer una calibración, de lo contrario el instrumento no rendirá como se espera y las personas cuya seguridad depende de este producto podrían sufrir una lesión personal grave o la muerte.

Condiciones para el uso seguro:

- Use solamente baterías de litio de las incluidas en la Tabla 6-2.
- La longitud máxima del cable de conexión del sensor remoto no debe exceder los 3.3 metros (10 pies).

Capítulo 6: Especificaciones de rendimiento

Tabla 6-1: Certificaciones

LUGARES PELIGROSOS	EE.UU Exia 	Clase I Grupos A, B, C y D $T_{amb.} -20^{\circ}\text{C}$ a $+50^{\circ}\text{C}$ Código de temperatura T4
	CANADÁ 	Exia Clase I Grupos A, B, C y D $T_{amb.} -20^{\circ}\text{C}$ a $+50^{\circ}\text{C}$ Código de temperatura T4
	AUSTRALIA	Ex ia IIC T4 ($T_{amb.} 50^{\circ}\text{C}$)
	EUROPA 	II 2G EEx ia IIC T4 $-20^{\circ}\text{C} \leq T_{amb.} \leq +50^{\circ}\text{C}$
IEC		Ex ia IIC T4 $-20^{\circ}\text{C} \leq T_{amb.} \leq +50^{\circ}\text{C}$
EMC/RFI	EUROPA 	89/336/EEC
CAJA		IP 67 (La versión de O ₂ remota es IP 54)
DIRECTIVAS EUROPEAS APLICABLES	EUROPA	ATEX: 94/9/EC EMC: 89/336/EEC LVD: 73/23/EEC

Condiciones para el uso seguro:

- Use solamente baterías de litio de las incluidas en la Tabla 6-2.
- La longitud máxima del cable de conexión del sensor remoto no debe exceder los 3.3 metros (10 pies).

Tabla 6-2: Especificaciones del instrumento

RANGO DE TEMPERATURA OPERATIVA	-20 a 50°C (-4 a +122°F) (NH ₃ , ClO ₂ : -20 a 40°C [-4 a 104°F]) Versión O ₂ -R: 0 a 40°C (32 a 104°F)
HUMEDAD	10 a 95% humedad relativa sin condensación
PROTECCIÓN CONTRA PENETRACIÓN	IP67 (La versión de O ₂ remota es IP 54)
ALMACENAMIENTO RECOMENDADO	0 a 40°C (32° a 104°F)
GARANTÍA	Ver el Capítulo 5.
ALARMA AUDIBLE	95 dB típico
TAMAÑO APROXIMADO	3.4 x 2.0 x 1 (pulg) (8.6 alto x 5.1 ancho x 2.5 cm profundidad)
PESO	4 onzas (113 gramos)
SENSOR	Sensores electroquímicos
BATERÍA	Litio, CR2, no recargable: Cambie solamente usando una batería Energizer CR2 EL1CR2BP, Panasonic CR-2PA/1B, Varta CR2 6206, o Varta (Power One) CR2 CR15H270, 6206

VALORES PRE-DETERMINADOS DE ALARMAS DE FÁBRICA*

	BAJA* ALARMA (PPM)	ALTA* ALARMA (PPM)	STEL* (PPM)	TWA* (PPM)	MÍN. DE ALARMA	MÁX. DE ALARMA	TIEMPO FAS (SEC)	TIEMPO CAL/ SPAN (SEC)
CO & CO EN INCENDIOS	25	100	100	25	20	1450	<15	90
CO ACERO	75	200	200	75	20	1450	<15	90
H₂S	10	15	15	10	5	175	<15	90
O₂	19.5%	23.0%	--	--	5.0	24	<15	90
SO₂	2.0	5.0	5.0	2.0	2.0	17.5	<15	90
NO₂	2.0	5.0	5.0	2.0	2.0	17.5	<15	240
NH₃	25	50	35	25	15	75	<15	180
PH₃	0.3	1.0	1.0	0.3	0.3	3.75	<15	90
HCN	4.5	10.0	10.0	4.5	4.5	20.0	<15	240
Cl₂	0.5	1.0	1.0	0.5	0.5	17.5	<15	240
ClO₂	0.10	0.30	0.30	0.10	0.10	0.75	<15	360

NOTA:

Este instrumento no está clasificado para usar en atmósferas que contengan más de un 21% de oxígeno.

* Hay otros puntos de ajuste disponibles a solicitud o en cualquier momento a través del software MSA FiveStar Link.

Table 6-3: Especificaciones de rendimiento típico para el oxígeno

RANGO	0 - 25 % de O ₂ (oxígeno y oxígeno-R)
RESOLUCIÓN	0.1 % de O ₂
REPETICIÓN	0.7 % de O ₂ para 2-25 % de O ₂ *
TIEMPO DE RESPUESTA	90 % de lectura final de 30 segundos (rango de temperatura normal*). Tres minutos (rango de temperatura extendido**)

* rango de temperatura normal 0-40 °C

** rango de temperatura extendido -20 a 0, 40 a 50 °C

Table 6-4: Especificaciones de rendimiento para gases tóxicos

SENSOR	CO o CO ACERO (monóxido de carbono)
RANGO	0-1500 ppm
RESOLUCIÓN	1 ppm
REPETICIÓN	+5 ppm o 10% de la lectura, lo que sea mayor (rango de temperatura normal*) +10 ppm de CO ó 20% de lectura, lo que sea mayor (rango de temperatura extendido**)
TIEMPO DE RESPUESTA:	90 % de lectura final en 60 segundos (rango de temperatura normal*)
SENSOR	H ₂ S (sulfuro de hidrógeno)
RANGO	0-200 ppm
RESOLUCIÓN	1 ppm
REPETICIÓN	+2 ppm o 10% de la lectura, lo que sea mayor (rango de temperatura normal*) +5 ppm ó 20% de lectura, lo que sea mayor (rango de temperatura extendido**)
TIEMPO DE RESPUESTA:	90% de la lectura final (rango de temperatura normal*)
SENSOR	SO ₂ (dióxido de azufre)
RANGO	0-20.0 ppm
RESOLUCIÓN	0.1 ppm
SENSOR	NO ₂ (dióxido de nitrógeno)
RANGO	0-20.0 ppm
RESOLUCIÓN	0.1 ppm
SENSOR	NH ₃ (amoníaco)
RANGO	0-100 ppm

SENSOR	PH ₃ (fosfeno)
RANGO	0-5.0 ppm
RESOLUCIÓN	0.05 ppm
SENSOR	HCN (cianuro de hidrógeno)
RANGO	0-30.0 ppm
RESOLUCIÓN	0.5 ppm
SENSOR	Cl ₂ (cloro)
RANGO	0-20.0 ppm
RESOLUCIÓN	0.1 ppm
SENSOR	ClO ₂ (dióxido de cloro)
RANGO	0-1.00 ppm
RESOLUCIÓN	0.02 ppm
* rango de temperatura normal 0-40 °C	
** rango de temperatura extendido -20 a 0, 40 a 50 °C (NH ₃ y ClO ₂ solamente: -20 a 0°C)	

Table 6-5: Especificaciones del registro de datos

REGISTRO DE DATOS DE SESIÓN	NÚMERO DE EVENTOS COMPARTIDOS	50 (eventos más recientes)
	MÉTODO DE TRANSMISIÓN DE DATOS	A través del adaptador infrarrojo de MSA en una PC usando el software MSA FiveStar Link Software en su versión 4.5 o más alta
	INFORMACIÓN DE REGISTRO DE EVENTOS	Alarma - Tipo de alarma - Valor de alarma - Hora/Fecha Alarma despejada - Tipo de alarma - Valor de alarma - Hora/Fecha Calibración (Pasa/No pasa) - Hora/Fecha Funcionamiento (Pasa/No pasa) - Hora/Fecha Error sin apagar - Tipo de error (vea la lista de errores) - Hora/Fecha ENCENDER/APAGAR - Hora/Fecha.
	TIEMPO DE TRANSMISIÓN	Por lo regular menos de 60 segundos como máximo.
REGISTRO DE DATOS PERIÓDICO	INTERVALO DE REGISTRO POR DEFECTO	Lecturas pico de tres minutos (configurable a través de una PC con picos de 15 segundos a 15 minutos o un minuto de pico promedio).

ESTIMADO DE ALMACENAMIENTO Por lo regular mayor de 100 horas con un intervalo por defecto (el tiempo de almacenamiento varía tomando como base el intervalo y la actividad del sensor).

TIEMPO DE TRANSMISIÓN Por lo regular menor de tres minutos.

Capítulo 7: Piezas de repuesto y accesorios

Tabla 7-1: Lista de piezas de repuesto

PIEZA/COMPONENTE	NO. DE PIEZA
Cilindro, 60 ppm de CO (gas de calibración fijado en la fábrica)	710882
Cilindro, 300 ppm de CO RP (gas de calibración fijado en la fábrica)	473180
Cilindro, 40 ppm de H ₂ S, RP (gas de calibración fijado en la fábrica)	467897
Cilindro, 40 ppm de H ₂ S, Econocal	711062
Cilindro, 10 ppm de NO ₂ , Econocal	711068
Cilindro, 10 ppm de NO ₂ , RP	808977
Cilindro, 10 ppm de SO ₂ , Econocal	711070
Cilindro, 10 ppm de SO ₂ , RP	808978
Cilindro, 25 ppm de NH ₃ , Econocal	711078
Cilindro, 25 ppm de NH ₃ , RP	814866
Cilindro, 10 ppm de Cl ₂ , Econocal	711066
Cilindro, 10 ppm de Cl ₂ , RP	806740
Cilindro, 2 ppm de Cl ₂ , Econocal	711082
Cilindro, 2 ppm de Cl ₂ , RP	10028080
Cilindro, 10 ppm de HCN, Econocal	711072
Cilindro, 10 ppm de HCN, RP	809351
Cilindro, 0.5 ppm de PH ₃ , Econocal	711088
Cilindro, 0.5 ppm de PH ₃ , RP	710533
Regulador, 0,25 lpm	467895
Regulador, 0,25 lpm, de combinación	711175
Tubería, 40 cm (16 pulg) (no se use para NH ₃ , Cl ₂ o ClO ₂)	10030325
Tubería, 40 cm (16 pulg), Tygon (sólo NH ₃ , Cl ₂ o ClO ₂)	10080534
Presilla, estilo tirante, negro	10040002
Presilla, estilo tirante, acero inoxidable	10069894
Presilla de cinturón para teléfono celular	10041105
Juego de cordón	10041107
FiveStar Link con IR (opcional para el registro de eventos)	710946

Junta de Sensor	10071375
Junta de Bocina	10067102
Batería - CR2	10074132
Tornillos, caja	636267
Presilla, casco	10073346
Conjunto de repuesto de caja frontal con juntas (sin la etiqueta frontal)	10075629
Etiqueta de caja frontal, O ₂	10068694
Etiqueta de caja frontal, H ₂ S	10068696
Etiqueta de caja frontal, CO	10068695
Etiqueta de caja frontal, CO acero	10074153
Etiqueta de caja frontal, CO en incendios	10074154
Etiqueta de caja frontal, NO ₂	10068699
Etiqueta de caja frontal, SO ₂	10068702
Etiqueta de caja frontal, NH ₃	10068700
Etiqueta de caja frontal, Cl ₂	10068697
Etiqueta de caja frontal, ClO ₂	10068698
Etiqueta de caja frontal, HCN	10068701
Etiqueta de caja frontal, PH ₃	10068703
Etiqueta de caja frontal, versión de O ₂ remoto	10068693
Conjunto de repuesto de caja frontal con juntas version O ₂ remoto	10078275
Sensor, CO, fundición de acero, resistente al H ₂	10080219
Sensor, CO (monóxido de carbono)	711306
Sensor, H ₂ S (sulfuro de hidrógeno)	711307
Sensor, O ₂ (oxígeno)	10046946
Sensor, HCN (cianuro de hidrógeno)	10080220
Sensor, Cl ₂ (cloro)	10080221
Sensor, SO ₂ (dióxido de azufre)	10080223
Sensor, NO ₂ (dióxido de nitrógeno)	10080224
Sensor, NH ₃ (amoníaco)	10080225
Sensor, PH ₃ (fosfina)	10080226
Sensor, versión de O ₂ remoto	10016798
Sensor, ClO ₂ (dióxido de cloro)	10080222
Ensamble de cable, 10 pies, versión de O ₂ remoto	10080493
Anillo tórico (para cable de versión de O ₂ remoto - se requieren dos)	635511



Détecteur mono-gaz ALTAIR® Pro

Mode d'emploi



En Amérique du Nord, pour contacter notre dépôt le plus proche, composez le numéro gratuit 1-800-MSA-2222 pour contacter MSA International, composez le 1-412-967-3354 ou 1-800-MSA-7777

© MINE SAFETY APPLIANCES COMPANY 2007 - Tous droits réservés.

Ce manuel est disponible sur l'Internet au www.msanet.com.

Fabriqué par

MSA INSTRUMENT DIVISION

P.O. Box 427, Pittsburgh, Pennsylvania 15230, États-Unis

(L) Rev. 1

IMZ001-034

10074734

AVERTISSEMENT

CE MANUEL DOIT ÊTRE LU ATTENTIVEMENT PAR TOUTES LES PERSONNES RESPONSABLES ACTUELLEMENT OU DANS LE FUTUR DE L'UTILISATION ET DE L'ENTRETIEN DU PRODUIT. Comme tout appareil complexe, cet appareil ne fonctionne comme prévu que s'il est utilisé et entretenu conformément aux instructions de son fabricant. DANS LE CAS CONTRAIRE, IL RISQUE DE MAL FONCTIONNER ET LES PERSONNES SE REPOSANT SUR CET APPAREIL POUR LEUR SÉCURITÉ RISQUENT UN ACCIDENT GRAVE OU MORTEL.

La garantie accordée par Mine Safety Appliances Company sur ce produit est annulée en cas d'utilisation et d'entretien non conforme aux instructions de ce mode d'emploi. Protégez-vous, ainsi qu'autrui, en les respectant. Nous encourageons nos clients à nous écrire ou à nous téléphoner avant d'utiliser cet appareil ou pour des renseignements supplémentaires sur son utilisation ou sa réparation.

Table des matières

Chapitre 1, Consignes de sécurité et homologations1-1

Homologations1-3

Chapitre 2, Utilisation du détecteur mono-gaz ALTAIR Pro 2-1

Figure 2-1. Aspect général du détecteur ALTAIR Pro .2-1

Figure 2-2. Ecran de l'appareil2-1

Modification des seuils d'alarme2-2

Pour changer les seuils d'alarme manuellement :2-2

Figure 2-3. Mise en service du détecteur ALTAIR Pro .2-4

Allumage du détecteur mono-gaz ALTAIR Pro2-5

Figure 2-4. Diagramme de mise en marche2-7

Indicateur de décharge de la pile (voir figure 2-2)2-8

Avertissement Pile déchargée2-8

▲ MISE EN GARDE2-8

Indicateur de confiance (voir figure 2-2)2-9

Rétroéclairage2-9

Alarmes ALTAIR Pro2-9

Mesure des gaz toxiques (voir figure 2-1)2-9

▲ AVERTISSEMENT2-9

Mesure de l'oxygène2-12

▲ AVERTISSEMENT2-12

Accès aux pages de l'instrument2-13

Toutes versions (sauf la version aciérie)2-13

Version aciérie uniquement2-15

Éteinte du détecteur multi-gaz ALTAIR Pro2-16

Figure 2-5. Accès aux pages ALTAIR Pro

(ne s'applique pas à la version aciérie)2-17

Enregistrement des données2-18

Journal de session2-18

Journal périodique2-18

**Chapitre 3,
Vérification des fonctions3-1**

Indicateur de confiance et signal de pulsation3-1
Test d'alarme3-1
Bump test3-1
Figure 3-1. Diagramme de Bump test3-3
Tableau 3-1. Valeurs de calibrage et de
Bump test (par défaut)3-4

**Chapitre 4,
Calibrage du détecteur mono-gaz ALTAIR Pro 4-1**

Calibrage de détection des gaz toxiques4-2
▲ MISE EN GARDE4-2
▲ AVERTISSEMENT4-3
Figure 4-1. Diagramme de calibrage
(gaz toxiques)4-4
Calibrage de détection d'oxygène4-5
Figure 4-2. Diagramme de calibrage (oxygène)4-6

**Chapitre 5,
Garantie, entretien et dépannage5-1**

Garantie d'appareil portatif MSA5-1
En cas de problème5-2
▲ AVERTISSEMENT5-2
Tableau 5-1. Instructions de dépannage5-3
Procédures de réparation5-4
Remplacement de la pile ALTAIR Pro5-4
Remplacement du capteur ALTAIR Pro
(sauf version O2 à distance)5-4
▲ MISE EN GARDE5-4
▲ MISE EN GARDE5-4
▲ MISE EN GARDE5-5
▲ MISE EN GARDE5-5
▲ AVERTISSEMENT5-5
Figure 5-1. Remplacement du capteur et de la pile
(sauf version O2 à distance)5-5
▲ MISE EN GARDE5-6
▲ AVERTISSEMENT5-6

Chapitre 6,
Performances nominales6-1

Tableau 6-1. Homologations6-1
Tableau 6-2. Caractéristiques techniques
de l'appareil6-2
Tableau 6-3: Oxygène - Performances
nominales typiques6-3
Tableau 6-4: Gaz toxiques - Performances
nominales6-3
Tableau 6-5: Caractéristiques techniques
de l'enregistrement des données6-4

Chapitre 7,
Pièces de rechange et accessoires7-1

Tableau 7-1. Liste des pièces de rechange7-1

Chapitre 1, Consignes de sécurité et homologations

Le détecteur mono-gaz ALTAIR Pro :

- a été conçu pour un personnel qualifié, formé à son utilisation.
- n'est qu'un dispositif d'avertissement et n'est pas prévu pour mesurer des concentrations spécifiques de gaz.
- est destiné à l'évaluation des risques d'exposition potentielle des employés :
 - aux gaz toxiques mesurés par le capteur installé
 - aux atmosphères pauvres ou riches en oxygène

REMARQUE : Bien que le détecteur ALTAIR Pro O₂ soit capable de détecter des concentrations d'oxygène jusqu'à 25 %, toutes ses versions ne sont pas homologuées ou classées pour utilisation dans des atmosphères contenant plus de 21% d'oxygène.

AVERTISSEMENT

- **Lisez et suivez attentivement toutes les instructions.**
- **N'utilisez pas ce détecteur pour mesurer le gaz spécifié dans des gaz autres que l'air.**
- **Effectuez un essai d'alarme et un Bump test au début de chaque jour d'emploi. Si l'un de ces tests échoue, l'instrument doit être mis hors service.**
- **Réeffectuez ces essais si l'instrument a subi un choc.**
- **N'effectuez aucune modification sur cet appareil et ne faites aucune réparation autres que celles spécifiées dans ce manuel. Afin d'éviter des dégâts mécaniques, cet appareil ne doit être réparé que par un personnel agréé par MSA.**
- **Ce détecteur contient une pile au lithium, qui doit être éliminée conformément à la réglementation locale.**
- **Attendez quelques instants ; les temps de réponse varient selon le gaz détecté.**
- **N'utilisez cet appareil que pour détecter le gaz pour lequel un capteur a été installé.**

- **N'obstruez pas le capteur.**
- **Quittez immédiatement les lieux en cas de franchissement d'un seuil d'alarme.**
- **Ne nettoyez pas les orifices du capteur ou de l'alarme à l'air comprimé.**
- **Les relevés et autres informations données par l'appareil doivent être interprétés par une personne formée et qualifiée, en fonction de l'environnement concerné, des pratiques industrielles et des seuils d'exposition autorisés.**
- **Les capteurs de gaz du détecteur ALTAIR Pro peuvent réagir à certains gaz d'interférence communs, autres que le gaz de détection. Dans certains cas, cette sensibilité croisée est positive et donne un relevé supérieur à la réalité. Dans d'autres cas, elle peut avoir un effet négatif, en faussant les relevés vers le bas ou en empêchant même toute détection du gaz recherché. Contactez MSA pour plus de détails si ce problème risque de se présenter.**
- **Conditions spéciales d'utilisation du détecteur d'oxygène à distance ALTAIR PRO O₂-R :**
 - **Utilisez cet instrument uniquement à des températures ambiantes entre 0 et 40 °C.**
 - **Si l'instrument est déplacé vers un environnement de température ambiante de 15 °C ou plus supérieure ou inférieure à celle de son emplacement précédent, attendez 40 minutes avant de l'utiliser, afin de permettre au capteur de s'adapter aux nouvelles conditions. Après ce délai, effectuez un réglage air libre (FAS) pour redéfinir le zéro du capteur. Le réglage FAS ne doit être réalisé qu'à l'air libre.**
 - **Des changements rapides de pression barométriques entraînent un décalage temporaire des relevés du capteur. Si ceci se produit, n'utilisez pas l'instrument pendant 5 minutes, puis redéfinissez le zéro en effectuant un réglage air libre (FAS). Le réglage FAS ne doit être réalisé qu'à l'air libre.**
- **Conditions à respecter pour un fonctionnement sans danger :**

- Lorsque la pile doit être changée, remplacez-la uniquement par une pile lithium telle que celles du TABLEAU 6-2.
- Utilisez uniquement le câble MSA spécifié pour connecter le capteur d'oxygène à distance.
- La longueur du câble de connexion du capteur ne doit pas dépasser 3,3 mètres.

**UNE UTILISATION ABUSIVE ET LE FAIT DE NE PAS RESPECTER
CET AVERTISSEMENT RISQUENT DE PROVOQUER UN
ACCIDENT GRAVE OU MORTEL.**

Homologations

Le détecteur mono-gaz ALTAIR Pro est conforme aux normes industrielles et gouvernementales applicables, tel qu'indiqué sur le label d'homologation de l'instrument et dans le tableau 6-1.

Chapitre 2, Utilisation du détecteur mono-gaz ALTAIR Pro

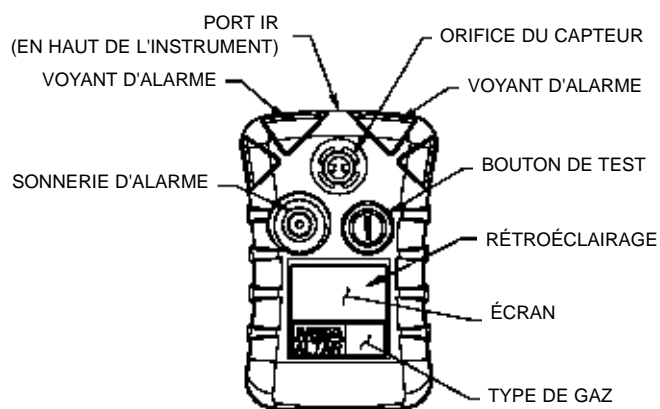


Figure 2-1. Aspect général du détecteur ALTAIR Pro

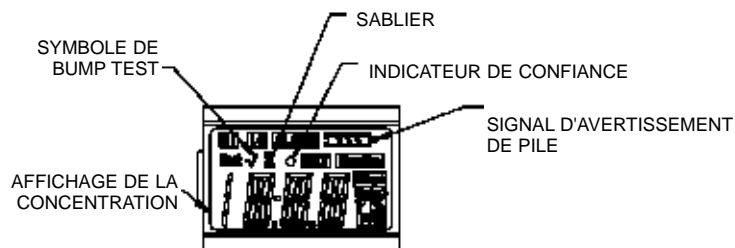


Figure 2-2. Ecran de l'appareil

Modification des seuils d'alarme

REMARQUE : Les seuils d'alarme ne peuvent être changés manuellement qu'au moment de la mise en service de l'instrument, après branchement ou rebranchement de la pile. Voir la figure 2-3 pour plus de détails. Les seuils d'alarme peuvent aussi être modifiés électroniquement à l'aide du logiciel MSA FiveStar® LINK®. La version logicielle la plus récente peut être téléchargée du site Internet de MSA (www.msanet.com).

Pour changer les seuils d'alarme manuellement :

1. Vérifiez que l'instrument est éteint avant de procéder.
2. Enlevez et remettez la pile.
3. Allumez l'instrument.

L'appareil doit être allumé pour pouvoir avertir l'utilisateur d'une condition dangereuse.

- a. Pour allumer l'instrument, appuyez sur le bouton TEST pendant trois secondes.
 - Le mot ON apparaît à l'écran en même temps.

REMARQUE : La version aciérie ne peut être éteinte qu'en enlevant la pile.

4. Le message ALARM SET ? s'affiche pendant 3 secondes.
5. Pour changer les seuils d'alarme manuellement, appuyez une fois sur le bouton lorsque ALARM SET ? est à l'écran.

REMARQUE : Si vous n'appuyez pas sur le bouton TEST, l'instrument se met en marche comme d'habitude après 3 secondes.

6. La version du logiciel s'affiche pendant 3 secondes.
7. Le type de gaz détecté par l'instrument apparaît pendant 3 secondes (CO, CO+ (version aciérie), H₂S ou O₂, etc.).
8. Les seuils d'alarme sont affichés :
 - Le seuil **d'alarme basse**, pendant trois secondes
 - Les icônes LO et ALARM s'allument.
 - a. Pour changer le seuil d'alarme basse, appuyez sur le bouton TEST lorsque LO ALARM est à l'écran :
 - Le message LO ALARM SET ? s'affiche.
 - b. Appuyez plusieurs fois rapidement sur le bouton TEST pour augmenter la valeur affichée.

- Maintenez le bouton TEST enfoncé pour faire défiler les chiffres plus vite.
 - c. Lorsque la valeur désirée apparaît, relâchez le bouton TEST et attendez trois secondes avant de continuer.
- **Le seuil d'alarme haute**, pendant trois secondes
 - Les icônes HI et ALARM s'allument.
 - a. Pour changer le seuil d'alarme haute, appuyez sur le bouton TEST lorsque HI ALARM est à l'écran :
 - Le message HI ALARM SET ? s'affiche.
 - b. Appuyez plusieurs fois rapidement sur le bouton TEST pour augmenter la valeur affichée.
 - Maintenez le bouton TEST enfoncé pour faire défiler les chiffres plus vite.
 - c. Lorsque la valeur désirée apparaît, relâchez le bouton TEST et attendez trois secondes avant de continuer.
- **La limite d'exposition à court terme**, STL, suivie du seuil d'alarme STEL, s'affiche pendant 3 secondes.
 - a. Pour changer le seuil STEL, appuyez sur le bouton TEST lorsque le seuil apparaît.
 - ALARM SET ? est affiché.
 - b. Appuyez plusieurs fois rapidement sur le bouton TEST pour augmenter la valeur affichée.
 - Maintenez le bouton TEST enfoncé pour faire défiler les chiffres plus vite.
 - c. Lorsque la valeur désirée apparaît, relâchez le bouton TEST et attendez trois secondes avant de continuer.
- **La moyenne pondérée dans le temps**, TWA, suivie du seuil TWA, s'affiche pendant 3 secondes.
 - a. Pour changer le seuil TWA, appuyez sur le bouton TEST lorsque le seuil apparaît.
 - ALARM SET ? est affiché.
 - b. Appuyez plusieurs fois rapidement sur le bouton TEST pour augmenter la valeur affichée.
 - Maintenez le bouton TEST enfoncé pour faire défiler les chiffres plus vite.
 - c. Lorsque la valeur désirée apparaît, relâchez le bouton TEST et attendez trois secondes avant de continuer.

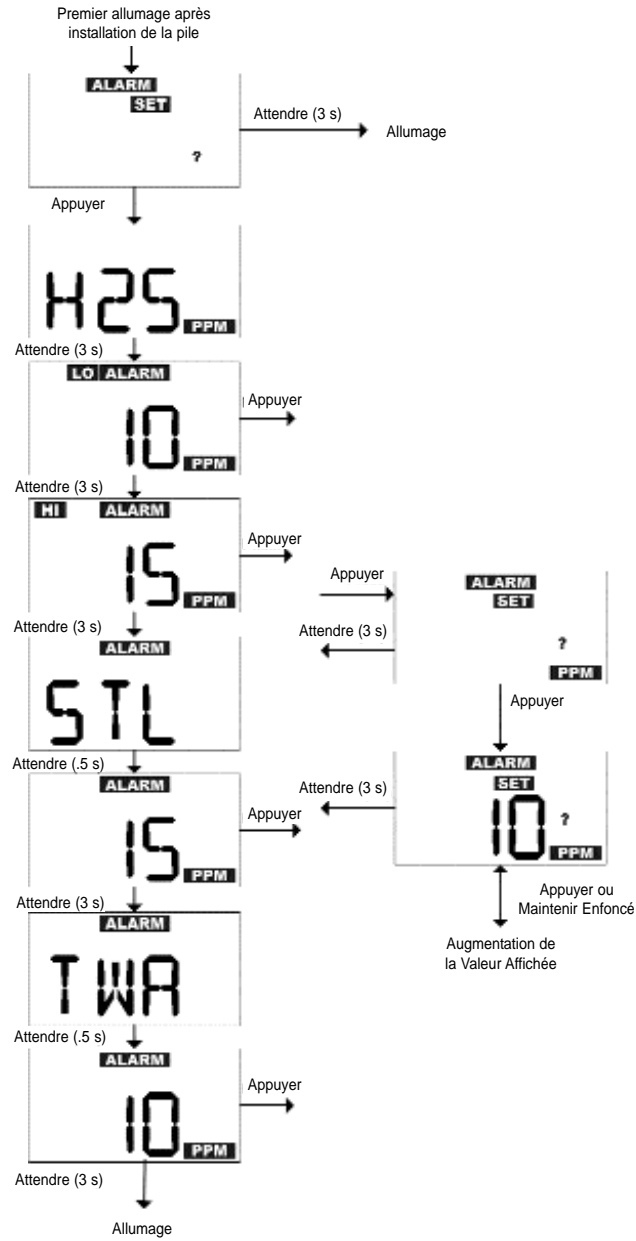


Figure 2-3. Mise en service du détecteur ALTAIR Pro

Allumage du détecteur mono-gaz ALTAIR Pro

1. L'appareil doit être allumé pour pouvoir avertir l'utilisateur d'une condition dangereuse.
 - a. Pour allumer l'instrument, appuyez sur le bouton TEST pendant trois secondes.
 - Le mot ON apparaît à l'écran en même temps.

REMARQUE : La version aciérie ne peut être éteinte qu'en enlevant la pile ou au moyen du logiciel FiveStar LINK. La version logicielle la plus récente peut être téléchargée du site Internet de MSA (www.msanet.com).

2. Ceci déclenche les opérations suivantes :
 - Un programme de test de fonctionnement de l'afficheur active les segments.
 - La sonnerie, les voyants et le vibreur se déclenchent également.
3. La version du logiciel s'affiche pendant trois secondes.
4. Le type de gaz détecté par l'instrument apparaît pendant trois secondes (CO, H₂S ou O₂, etc.).
5. Les seuils d'alarme sont affichés :
 - Le seuil **d'alarme basse**, pendant trois secondes
 - Les icônes LO et ALARM s'allument.
 - Le seuil **d'alarme haute**, pendant trois secondes
 - Les icônes HI et ALARM s'allument.
6. La limite d'exposition à court terme, STL, et l'icône ALARME, s'affichent pendant 3 secondes avec le seuil d'alarme STL.
7. La moyenne pondérée dans le temps, TWA, et l'icône ALARME s'affichent pendant 3 secondes avec le seuil d'alarme TWA.
8. Si la fonction de prochaine date de calibrage (CAL DUE) est activée au moyen du logiciel FiveStar LINK (réglage par défaut = éteint) :
 - Le mot CAL et un sablier sont affichés.

REMARQUE : Voir la figure 2-4 pour plus de détails.
 - Si la date de calibrage est atteinte, le mot DUE, suivi d'un sablier, s'affiche pendant 3 secondes.
 - L'instrument émet un bip sonore et le message CAL DUE clignote toutes les minutes à l'écran, jusqu'à ce que le calibrage ait été effectué.

- Si la date de calibrage n'est pas encore atteinte, l'écran affiche le sablier, le nombre de jours avant le prochain calibrage et le mot DAYS.

9. Un message apparaît demandant à l'utilisateur s'il souhaite effectuer un réglage à l'air libre (FAS) :

- Le message SET ? FAS s'affiche.

Si vous désirez un réglage à l'air libre, appuyez immédiatement sur le bouton TEST.

- Le sablier s'affiche, suivi des mots SET et FAS.

Si vous ne désirez pas de réglage à l'air libre, n'appuyez pas sur le bouton TEST :

- L'instrument continue de se mettre en marche.

REMARQUE : Pendant un réglage à l'air libre, l'appareil doit se trouver dans une atmosphère propre confirmée.
Le réglage à l'air libre a des limites.
Si une concentration dangereuse de gaz est présente, l'ALTAIR Pro affiche FAS/ERR.
Appuyez sur le bouton TEST pour accuser réception, et effectuez le calibrage.

10. Si l'appareil a été configuré pour l'oxygène, il affiche :

- le relevé d'oxygène
- le symbole %
- l'indicateur de la pile

Si l'appareil a été configuré pour un gaz toxique, il affiche :

- le relevé de gaz
- le mot ppm
- l'indicateur de la pile

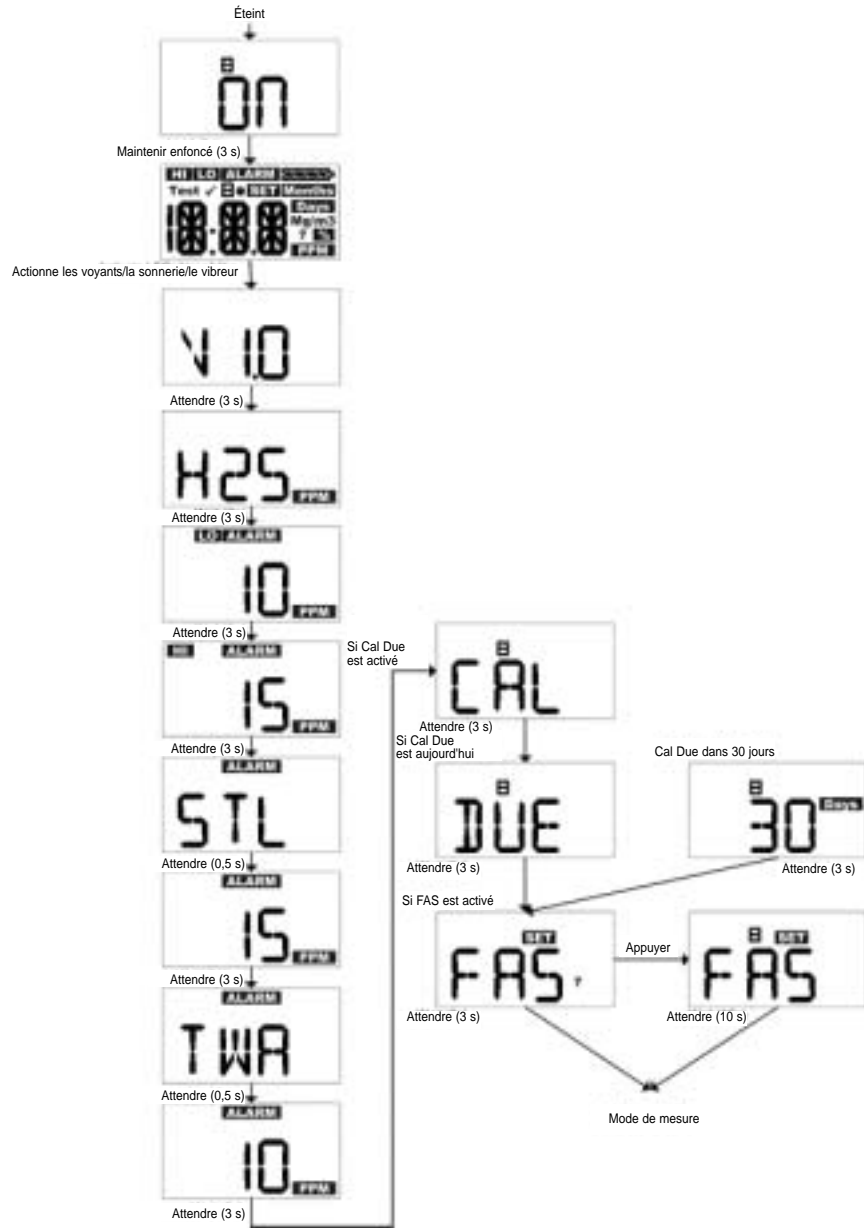


Figure 2-4. Diagramme de mise en marche

Indicateur de charge des piles (voir FIGURE 2-2)

- L'icône de charge de la pile est affichée en permanence dans le coin supérieur droit de l'écran.
- Au fur et à mesure que la pile se décharge, des segments de l'indicateur disparaissent, jusqu'à ce qu'il ne reste plus que le contour.
 - Chaque segment de l'indicateur représente environ 1/4 de la charge totale de la pile.

Avertissement Pile déchargée

- L'avertissement Pile déchargée signifie que l'appareil n'a plus que deux jours de fonctionnement avant épuisement de la pile.
REMARQUE : La durée de fonctionnement restante effective de l'instrument après le déclenchement de l'avertissement Pile déchargée dépend de:
 - la température ambiante (plus il fait froid, plus la pile se décharge vite)
 - le nombre et la durée des alarmes pendant la période d'avertissement
- Quand l'ALTAIR Pro passe en mode d'avertissement Pile déchargée :
 - L'indicateur de charge de la pile clignote.
 - La sonnerie se met en marche toutes les 30 secondes.
 - Les voyants clignotent toutes les 30 secondes.

MISE EN GARDE

En cas d'avertissement Pile déchargée, préparez-vous à quitter les lieux dans lesquels vous travaillez car l'appareil risque de passer à tout moment en Arrêt de pile et donc d'arrêter le capteur.

Arrêt de pile

- Lorsque la pile ne peut plus faire fonctionner l'appareil, celui-ci passe en mode d'Arrêt de pile :
 - L'indicateur de charge de la pile clignote.
 - L'icône d'alarme s'allume.
 - La sonnerie se met en marche toutes les 30 secondes.
 - Les voyants d'alarme clignotent.

- Aucun relevé de gaz n'est affiché.
- L'écran affiche BAT et ERR en alternance.
- Aucune autre page ne peut être affichée.
- L'instrument reste dans cet état :
 - jusqu'à ce qu'il soit éteint ou
 - que la pile soit complètement épuisée.
- Les voyants et la sonnerie d'alarme peuvent être coupés en appuyant sur le bouton de TEST.

AVERTISSEMENT

Si un arrêt de pile se produit, arrêtez d'utiliser l'instrument et quittez immédiatement les lieux. L'instrument n'est plus capable de vous avertir en cas de danger.

Le fait de ne pas respecter cet avertissement risque de provoquer un accident grave ou mortel.

- Lorsque la pile est déchargée, mettez l'appareil hors service et remplacez la pile.

Indicateur de confiance (voir figure 2-2)

- L'indicateur de confiance clignote une fois toutes les 60 secondes pour indiquer à l'utilisateur que l'instrument est en marche et qu'il fonctionne normalement. Les deux voyants clignotent aussi brièvement toutes les 60 secondes.

Rétroéclairage

- Le rétroéclairage peut être activé manuellement en enfonçant rapidement le bouton TEST.
- Il reste allumé pendant 10 secondes.

Alarmes ALTAIR Pro

Mesure des gaz toxiques (voir figure 2-1)

Le détecteur ALTAIR Pro permet de détecter la présence dans l'atmosphère des gaz suivants :

- Monoxyde de carbone (CO)
- Sulfure d'hydrogène (H₂S)
- Anhydride sulfureux (SO₂)

- Dioxyde d'azote (NO₂)
 - Ammoniac (NH₃)
 - Hydrogène phosphoré (PH₃)
 - Acide cyanhydrique (HCN)
 - Chlore (Cl₂)
 - Bioxyde de chlore (ClO₂)
 - Le détecteur ALTAIR Pro affiche la concentration de gaz en parties par million (ppm) sur la page des mesures.
 - Il reste sur cette page jusqu'à ce qu'une autre page soit sélectionnée ou qu'il soit éteint.
 - Il existe quatre seuils d'alarme :
 - High Alarm (alarme haute)
 - Low Alarm (alarme basse)
 - STEL Alarm (alarme STEL)
 - TWA Alarm (alarme TWA)
 - Le rétroéclairage s'allume pendant 20 secondes en cas d'alarme.
1. Si la concentration de gaz atteint ou dépasse le seuil d'alarme basse :
 - L'instrument effectue les opérations suivantes :
 - Les mots LO et ALARM s'affichent en clignotant.
 - La séquence d'alarme basse se déclenche.
 - L'alarme basse peut être éteinte pendant 5 secondes en appuyant sur le bouton TEST ; elle se réinitialise automatiquement lorsque le niveau de gaz retombe en dessous du seuil.
 2. Si la concentration de gaz atteint ou dépasse le seuil d'alarme haute :
 - L'instrument effectue les opérations suivantes :
 - Les mots HI et ALARM s'affichent en clignotant.
 - La séquence d'alarme haute se déclenche.
 - L'alarme haute peut être coupée pendant 5 secondes en appuyant sur le bouton TEST.
 - L'alarme haute se bloque et ne se réinitialise pas automatiquement lorsque la concentration de gaz retombe en dessous du seuil correspondant.
- REMARQUE : Pour réinitialiser l'alarme, appuyez sur le bouton TEST après que la concentration de gaz soit retombée en dessous du seuil d'alarme.

- Lisez l'écran de l'instrument pendant le mode de test pour connaître les seuils d'alarme définis en usine.
 - Si la concentration de gaz dépasse un seuil d'alarme :
 - La sonnerie d'alarme se déclenche.
 - Les voyants d'alarme clignotent.
 - Le vibreur se déclenche.
 - Le type d'alarme est indiqué à l'écran, par affichage alternatif de l'icône ALARM et de :
 - l'icône LO (si le seuil dépassé est celui d'alarme basse)
 - l'icône HI (si le seuil dépassé est celui d'alarme haute)
3. Si le relevé STEL (limité d'exposition à court terme) atteint ou dépasse le seuil STEL :
- L'instrument effectue les opérations suivantes :
 - Les mots LO et ALARM s'affichent en clignotant.
 - La séquence d'alarme basse se déclenche.
 - L'alarme STEL peut être coupée pendant 5 secondes en appuyant sur le bouton TEST.
 - L'alarme STEL ne se bloque pas et se réinitialise lorsque que le relevé STEL retombe en dessous du seuil correspondant.
 - La valeur STEL peut être effacée. Voir la figure 2-5 pour plus de détails.
 - L'alarme STEL peut être désactivée à l'aide du logiciel Five Star LINK. La version logicielle la plus récente peut être téléchargée du site Internet de MSA (www.msanet.com).
4. Si le relevé TWA (moyenne pondérée dans le temps) atteint ou dépasse le seuil TWA :
- L'instrument effectue les opérations suivantes :
 - Les mots LO et ALARM s'affichent en clignotant.
 - La séquence d'alarme basse se déclenche.
 - L'alarme TWA peut être coupée pendant 5 secondes en appuyant sur le bouton TEST.
 - L'alarme TWA ne peut pas être réinitialisée.
 - La valeur TWA peut être effacée. Voir la figure 2-5 pour plus de détails.
 - L'alarme TWA peut être désactivée à l'aide du logiciel Five Star LINK.

- Lisez l'écran de l'instrument pendant le mode de test pour connaître les seuils d'alarme définis en usine.

AVERTISSEMENT

Si une concentration alarmante de gaz toxique ou d'oxygène est atteinte lorsque vous portez l'instrument ou que vous vous en servez pour surveiller un local, quittez immédiatement la zone concernée : l'atmosphère ambiante a atteint le seuil d'alarme prédéfini. Le fait de ne pas respecter cette procédure risque de vous exposer à un environnement dangereux et de provoquer un accident grave ou mortel.

Mesure de l'oxygène

- Le détecteur ALTAIR Pro permet de mesurer la concentration d'oxygène dans l'atmosphère.
 - La valeur affichée est le pourcentage par volume d'oxygène dans l'atmosphère.
 - Les seuils d'alarme haute et basse peuvent être configurés pour déclencher l'alarme dans n'importe quel type de mélange d'air et d'oxygène :
 - atmosphère riche en oxygène (concentration supérieure à 20,8 %) ou
 - atmosphère pauvre en oxygène (moins de 20,8 %)
- Lorsqu'un seuil d'alarme est atteint :
 - La sonnerie d'alarme se déclenche.
 - Les voyants d'alarme clignotent.
 - Le vibreur se déclenche.
 - Le type d'alarme est indiqué par affichage en alternance de l'icône ALARM et de l'icône LO ou HI, selon le seuil franchi.
 - L'alarme basse signale :
 - la concentration d'oxygène la plus basse des deux seuils fixés.
 - avec accélération de la séquence d'alarme en cas de situation plus urgente
 - Le message LO ALARM s'affiche.

Remarque : L'alarme basse (le plus bas des seuils d'O₂) ne peut pas être réinitialisée lorsque la concentration d'oxygène est supérieure au seuil d'alarme basse.

- Pour réinitialiser l'alarme, appuyez sur le bouton TEST.

De fausses alarmes à oxygène peuvent se produire à la suite de changements dans la pression barométrique (altitude) ou de variations importantes de la température ambiante. Il est recommandé d'effectuer le calibrage du détecteur d'oxygène à la température et à la pression d'emploi. Avant le calibrage, assurez-vous que l'instrument se trouve dans de l'air frais non contaminé.

- Conditions spéciales d'utilisation du détecteur d'oxygène à distance ALTAIR PRO O₂-R :
 - Utilisez cet instrument uniquement à des températures ambiantes entre 0 et 40 °C.
 - Si l'instrument est déplacé vers un environnement de température ambiante de 15 °C ou plus supérieure ou inférieure à celle de son emplacement précédent, attendez 40 minutes avant de l'utiliser, afin de permettre au capteur de s'adapter aux nouvelles conditions. Après ce délai, effectuez un réglage air libre (FAS) pour redéfinir le zéro du capteur. Le réglage FAS ne doit être réalisé qu'à l'air libre.
 - Des changements rapides de pression barométriques entraînent un décalage temporaire des relevés du capteur. Si ceci se produit, n'utilisez pas l'instrument pendant 5 minutes, puis redéfinissez le zéro en effectuant un réglage air libre (FAS). Le réglage FAS ne doit être réalisé qu'à l'air libre.

Accès aux pages de l'instrument

Une simple pression rapide du bouton allume le rétroéclairage pendant 10 secondes. La page Information est accessible en appuyant une seconde sur le bouton TEST.

- L'instrument émet deux bips sonores.

Toutes versions (sauf la version aciérie)

- 1) Mode de gaz de test
- 2) Concentration minimum d'oxygène (Lo) - pour l'oxygène seulement
- 3) Maximum relevé
 - Gaz toxique (Hi)
 - Oxygène (Hi)

- Les valeurs maximum (Hi) et minimum (Lo) peuvent être effacées.
- Lorsque cette page est affichée, appuyez sur le bouton TEST pour effacer.
 - Le mot CLR s'affiche.

4) Limite d'exposition à court terme, STL.

- Le relevé STL affiche le résultat des calculs de l'instrument depuis qu'il a été allumé.
- Lorsque cette page est affichée, appuyez sur le bouton TEST pour effacer.
 - Le message CLR apparaît.
- La valeur STEL est automatiquement remise à zéro lorsque l'instrument est allumé.
- Elle est calculée sur une période d'exposition de 15 minutes.
- La formule de calcul est la suivante :

$$\frac{(\text{valeur ppm de la première minute}) + (\text{valeur ppm de la deuxième minute}) + \dots + (\text{valeur ppm de la quinzième minute})}{15 \text{ minutes}} = \text{valeur STEL en ppm}$$

- Si l'instrument est allumé pendant moins de 15 minutes :
 - les valeurs ppm des minutes non utilisées sont considérées être zéro et
 - le total est divisé par 15 minutes.

5) Moyenne pondérée dans le temps, TWA.

- Le relevé TWA affiche le résultat des calculs de l'instrument depuis qu'il a été allumé.
- Lorsque cette page est affichée, appuyez sur le bouton TEST pour effacer.
 - Le message CLR apparaît.
- La valeur TWA est automatiquement remise à zéro lorsque l'instrument est allumé.
- Elle est calculée sur une période d'exposition de 8 heures.
- La formule de calcul est la suivante :

$$\frac{\text{Somme des relevés de gaz chaque minute}}{480 \text{ minutes (8 heures)}} = \text{valeur TWA}$$

- Si l'instrument est allumé pendant moins de 8 heures (480 minutes), les valeurs ppm restantes sont considérées être zéro,

6) Mode IR

- Lorsque l'instrument affiche IR?, appuyez sur le bouton pour passer en mode IR.
- Si aucun signal infra-rouge n'est détecté pendant 3 minutes ou que vous appuyez sur le bouton TEST, l'instrument sort de ce mode.
- Voir la figure 2-5 pour plus de détails.

Version aciérie uniquement :

- 1) Mode de gaz de test
- 2) Vérification fonctionnelle de l'afficheur, du vibreur et de la sonnerie
- 3) La version du logiciel est affichée.
- 4) Type de gaz
- 5) Seuil d'alarme basse (Lo Alarm)
- 6) Seuil d'alarme haute (Hi Alarm)
- 7) Seuil d'alarme STL
- 8) Seuil d'alarme TWA
- 9) Maximum relevé
 - Gaz toxique (Hi)
 - Les valeurs maximum (Hi) et minimum (Lo) peuvent être effacées.
 - Lorsque cette page est affichée, appuyez sur le bouton TEST pour effacer.
 - Le mot CLR s'affiche.
- 10) Limite d'exposition à court terme, STL.
 - Le relevé STL affiche le résultat des calculs de l'instrument depuis qu'il a été allumé.
 - Lorsque cette page est affichée, appuyez sur le bouton TEST pour effacer.
 - Le message CLR apparaît.
 - La valeur STEL est automatiquement remise à zéro lorsque l'instrument est allumé.
 - Elle est calculée sur une période d'exposition de 15 minutes.
 - La formule de calcul est la suivante :

$$\frac{(\text{valeur ppm de la première minute}) + (\text{valeur ppm de la deuxième minute}) + \dots + (\text{valeur ppm de la quinzième minute})}{15 \text{ minutes}} = \text{valeur STEL en ppm}$$
 - Si l'instrument est allumé pendant moins de 15 minutes :

- Les valeurs ppm des minutes non utilisées sont considérées être zéro et
- le total est divisé par 15 minutes.

11) Moyenne pondérée dans le temps, TWA.

- Le relevé TWA affiche le résultat des calculs de l'instrument depuis qu'il a été allumé.
- Lorsque cette page est affichée, appuyez sur le bouton TEST pour effacer.
 - Le message CLR apparaît.
- La valeur TWA est automatiquement remise à zéro lorsque l'instrument est allumé.
- Elle est calculée sur une période d'exposition de 8 heures.
- La formule de calcul est la suivante :

$$\text{Somme des relevés de gaz chaque minute} / 480 \text{ minutes (8 heures)} = \text{valeur TWA}$$

- Si l'instrument est allumé pendant moins de 8 heures (480 minutes), les valeurs ppm restantes sont considérées être zéro.

12) Mode IR

- Lorsque l'instrument affiche IR?, appuyez sur le bouton pour passer en mode IR.
- Si aucun signal infra-rouge n'est détecté pendant 3 minutes ou que vous appuyez sur le bouton TEST, l'instrument sort de ce mode.
- Voir la figure 2-5 pour plus de détails.

Éteinte du détecteur multi-gaz ALTAIR Pro

1. Appuyez sur le bouton TEST pendant trois secondes.
 - Le mot OFF et un sablier sont affichés.
2. Continuez d'appuyer sur le bouton TEST pendant deux secondes de plus.
 - L'instrument s'éteint.

REMARQUE : La version aciérie ne peut être éteinte qu'en enlevant la pile.

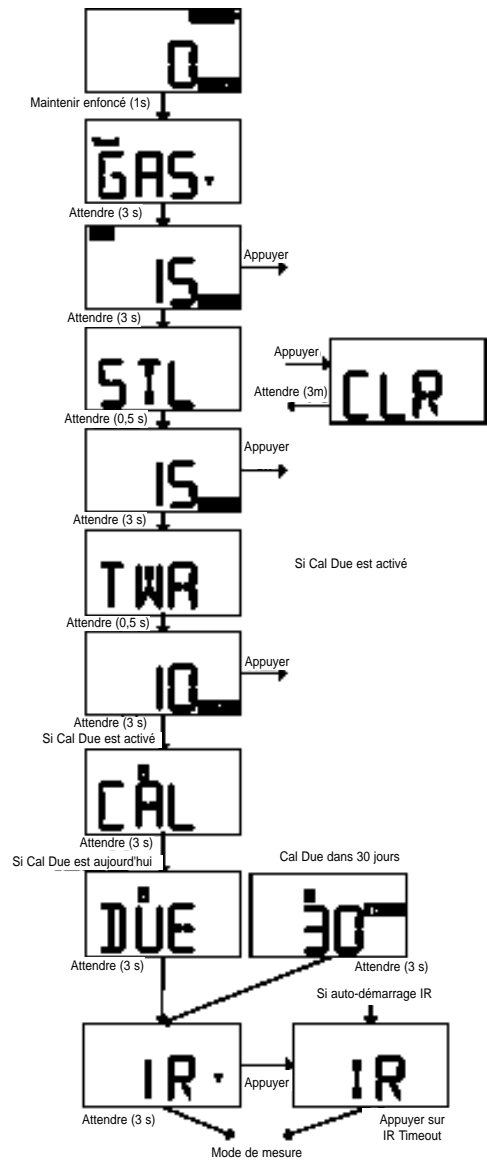


Figure 2-5. Accès aux pages ALTAIR Pro (ne s'applique pas à la version aciérie)

Enregistrement des données

Journal de session

- Le détecteur mono-gaz ALTAIR Pro est capable d'enregistrer les 50 opérations les plus récentes.

Pour transférer les données à un ordinateur, appuyez sur le bouton TEST pendant une seconde.

- Les pages de l'instrument commencent à s'afficher.
- Mettez l'instrument en mode IR (voir FIGURE 2-5).
- Les événements enregistrés seront transmis à l'ordinateur au cours de cette séquence, si
 - le haut de l'instrument est pointé vers le récepteur infra-rouge en option.
 - le logiciel MSA FiveStar Link (réf. 710946) est installé sur l'ordinateur et est activé.
 - la commande CONNECT du logiciel est actionnée.
- Les événements suivants sont enregistrés :
 - Alarme - Type d'alarme - Valeur d'alarme - Heure/date
 - Effacement de l'alarme - Type d'alarme - Valeur d'alarme - Heure/date
 - Cal (réussite/échec) - Heure/date
 - Bump test (réussite/échec) - Heure/date
 - Erreur - Type d'erreur (voir liste) - Heure/date

Journal périodique

- Les maxima de gaz sont enregistrées périodiquement, selon les réglages effectués par l'utilisateur sur l'ordinateur. (La fréquence par défaut est d'un échantillon toutes les trois minutes.)
- Voir les performances typiques sur le tableau 6-3.

REMARQUES :

- L'heure et la date sont synchronisées avec celles de l'ordinateur. Vérifiez que l'horloge de l'ordinateur est bien réglée avant de communiquer avec l'instrument.
- Une panne électrique de l'instrument risque d'introduire une discontinuité dans le journal.
- Après avoir changé les piles, vérifiez l'heure et la date sur votre ordinateur.

Chapitre 3, Vérification des fonctions

Indicateur de confiance et signal de pulsation

- Les voyants d'alarme et le signal de pulsation à l'écran clignotent environ toutes les 60 secondes pour confirmer le fonctionnement du détecteur.

Test d'alarme

- Vérifiez chaque jour avant emploi.
- Appuyez momentanément sur le bouton TEST. Un test d'une seconde des fonctions d'alarme suivantes est effectué :
 - afficheur
 - voyants d'alarme
 - vibreur
 - sonnerie
- Si l'un de ces éléments ne se déclenche pas, mettez l'instrument hors service.

REMARQUE: Dans la version aciérie uniquement, l'essai d'alarme se produit chaque fois que l'on appuie sur le bouton pendant une seconde.

Bump test

- Vérifiez chaque jour avant emploi.
- Appuyez sur le bouton TEST pendant deux secondes :
 - Dans le cas de la version détectant l'oxygène, le relevé actuel de ce gaz apparaît ; calibrez l'appareil si la valeur affichée soit différente de 20,8 %.
 - Le message TEST GAS ? apparaît.
- Appuyez de nouveau sur le bouton TEST pendant l'affichage de TEST GAS ? afin d'activer le mode Bump test.
 - Le sablier et le mot GAS sont affichés.
- N'appliquez pas le gaz **tant que** ces symboles ne sont pas apparus.

- Si le gaz est détecté, l'écran affiche OK.
REMARQUE : Voir le tableau 3-1 sur les gaz appliqués.
- Attendez environ 5 secondes.
 - Le symbole \checkmark apparaît à l'écran.
 - Il signifie que l'instrument a réussi le Bump test.
 - Il reste à l'écran pendant 24 heures, pour signaler qu'un Bump test a été effectué au cours de cette période.

REMARQUE : Voir la figure 3-1 pour plus de détails.

- Si le symbole \checkmark n'apparaît pas et est remplacé par le mot ERR :
 - Vérifiez que :
 - l'orifice d'entrée du capteur n'est pas bouché.
 - la bonbonne de calibrage utilisée dans le Bump test est celle correcte.
 - la bonbonne de gaz n'est pas vide ou obsolète.
 - le gaz a été appliqué au bon moment.
 - le tube de gaz est installé dans l'étui avant de l'instrument pendant le test.
 - Répétez le Bump test autant de fois que nécessaire.
- Si le symbole \checkmark n'apparaît pas, calibrez l'instrument et répétez le Bump test.

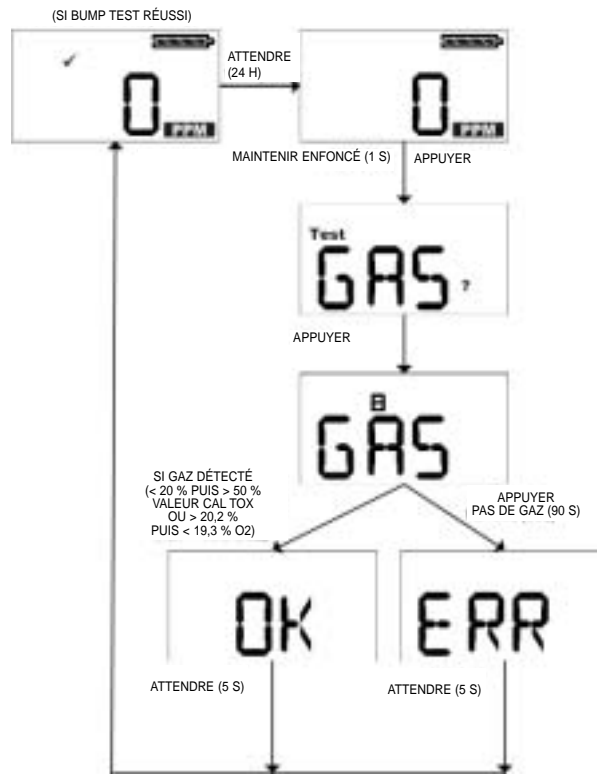


Figure 3-1. Diagramme de Bump test

Tableau 3-1. Valeurs de défaut de calibrage et de Bump test définis en usine

TYPE D'INSTRUMENT	GAZ DE BUMP TEST	GAZ DE CALIBRAGE
CO	60 ppm	60 ppm
H ₂ S	40 ppm	40 ppm
O ₂ et O ₂ -R	<19%*	20.8%
SO ₂	10 ppm	10 ppm
NO ₂	10 ppm	10 ppm
NH ₃	25 ppm	25 ppm
PH ₃	0.5 ppm	0.5 ppm
HCN	10 ppm	10 ppm
Cl ₂	10 ppm	10 ppm
ClO ₂	2 ppm Cl ₂	0.8 ppm ClO ₂ **

* Le Bump test de l'oxygène peut aussi être effectué en soufflant sur l'orifice du capteur pendant environ 3 à 5 secondes.

** Pour plus de précision, MSA recommande de calibrer le détecteur ALTAIR Pro ClO₂ à l'aide d'un générateur ClO₂. Cet instrument a un facteur de sensibilité croisée au Cl₂ : 2 ppm Cl₂ est environ égal à 0,8 ppm ClO₂.

Chapitre 4, Calibrage du détecteur mono-gaz ALTAIR Pro

AVERTISSEMENT

Les régulateurs et les tubes utilisés dans les tests bump et le calibrage Cl₂, ClO₂, NH₃, HCN ou PH₃ doivent être étiquetés par l'utilisateur pour ce gaz et ne pas être réutilisés pour un gaz différent.

- Le détecteur mono-gaz ALTAIR Pro est conçu pour ne nécessiter aucun entretien. Il doit cependant être calibré si le Bump test échoue ou si un calibrage est requis par le règlement local.
- Détecteurs d'oxygène : effectuez un calibrage en cas de :
 - modification de la pression barométrique (changement d'altitude)
 - il existe des variations importantes de température et d'humidité ambiantes (voir le TABLEAU 6-2, Caractéristiques techniques de l'appareil).
 - échec du Bump test.
 - Un calibrage régulier est requis par les procédures locales.
 - Conditions spéciales d'utilisation du détecteur d'oxygène à distance ALTAIR PRO O₂-R :
 - Utilisez cet instrument uniquement à des températures ambiantes entre 0 et 40 °C.
 - Si l'instrument est déplacé vers un environnement de température ambiante de 15 °C ou plus supérieure ou inférieure à celle de son emplacement précédent, attendez 40 minutes avant de l'utiliser, afin de permettre au capteur de s'adapter aux nouvelles conditions. Après ce délai, effectuez un réglage air libre (FAS) pour redéfinir le zéro du capteur. Le réglage FAS ne doit être réalisé qu'à l'air libre.
 - Des changements rapides de pression barométriques entraînent un décalage temporaire des relevés du capteur. Si ceci se produit, n'utilisez pas l'instrument pendant 5 minutes, puis redéfinissez le zéro en effectuant un réglage air libre (FAS). Le réglage FAS ne doit être réalisé qu'à l'air libre.

- Détecteurs de gaz toxiques (CO et H₂S) : effectuez un calibrage en cas de :
 - choc sur l'appareil
 - utilisation prolongée à des températures extrêmes
 - exposition à de hautes concentrations
 - échec du Bump test.
 - Un calibrage régulier est requis par les procédures locales.

Calibrage de détection des gaz toxiques

MISE EN GARDE

En raison de la réactivité élevée du Cl₂ et du ClO₂, l'humidité ambiante et le matériau de fabrication du tube de calibrage peuvent réagir avec le gaz et conduire à un relevé inférieur à la concentration réelle. Il est donc nécessaire d'utiliser un tube sec pendant le calibrage ou le test bump. Pour de meilleurs résultats, raccordez la bouteille de calibrage de ces gaz avec un tube le plus court possible.

- Avant de passer en mode de calibrage, assurez-vous que vous vous trouvez dans de l'air frais non contaminé. Voir la figure 4-1 pour plus de détails.
1. En mode de fonctionnement normal, appuyez sur le bouton TEST pendant deux secondes.
 - Le message TEST GAS ? apparaît.
 2. Appuyez sur le bouton TEST pendant trois secondes lorsque TEST GAS ? est affiché.
 - Le message TEST CAL apparaît.
 - Après trois secondes, le message FAS ? demande à l'utilisateur de confirmer qu'un calibrage et réglage à l'air frais est désiré.
 3. Appuyez sur le bouton TEST pour calibrer le zéro.
REMARQUE : Si vous ne faites rien, l'appareil revient en mode de fonctionnement normal.
 4. Pendant le calibrage du zéro :
 - le sablier et le mot FAS sont affichés.
 - si le calibrage est effectué sans problème :

- le message OK est affiché.
 - si le calibrage échoue :
 - le message ERR est affiché.
 - l'instrument revient en mode de fonctionnement normal après 5 secondes.
5. Une fois le calibrage du zéro correctement effectué et dès que le message OK apparaît, appuyez sur le bouton TEST pour passer en mode de calibrage.
- Le message CAL ? apparaît.
6. Appuyez alors sur le bouton TEST pour accéder au mode de calibrage en fonction du gaz.
- Le gaz de calibrage actuel attendu est affiché en ppm.
- a. Pour le changer :
- 1) Appuyez sur le bouton TEST.
 - Le message TEST SET ? ppm apparaît.
 - 2) Appuyez plusieurs fois rapidement sur le bouton TEST pour augmenter la valeur affichée.
 - Maintenez le bouton TEST enfoncé pour faire défiler les chiffres plus vite.
 - 3) Attendez 3 secondes avant de revenir au mode de calibrage.
- b. Appliquez le gaz de calibrage désiré.
- L'écran affiche alternativement le relevé actuel de gaz, le sablier et le mot CAL.
 - Une fois que l'instrument a été calibré correctement, le message OK s'affiche. La durée de calibrage dépend du capteur installé. Voir TABLEAU 6-2.
 - En cas d'échec, le mot ERR apparaît à l'écran.
 - Attendez 5 secondes avant de revenir au mode de fonctionnement normal.

AVERTISSEMENT

Les concentrations de gaz attendues doivent correspondre à celles listées sur les bouteilles de calibrage. Le fait de ne pas tenir compte de cet avertissement risque de fausser le calibrage et de résulter en un accident grave ou mortel.

- c. Si le message ERR est affiché en fin de calibrage, le réglage de départ reste inchangé. Vérifiez immédiatement que :

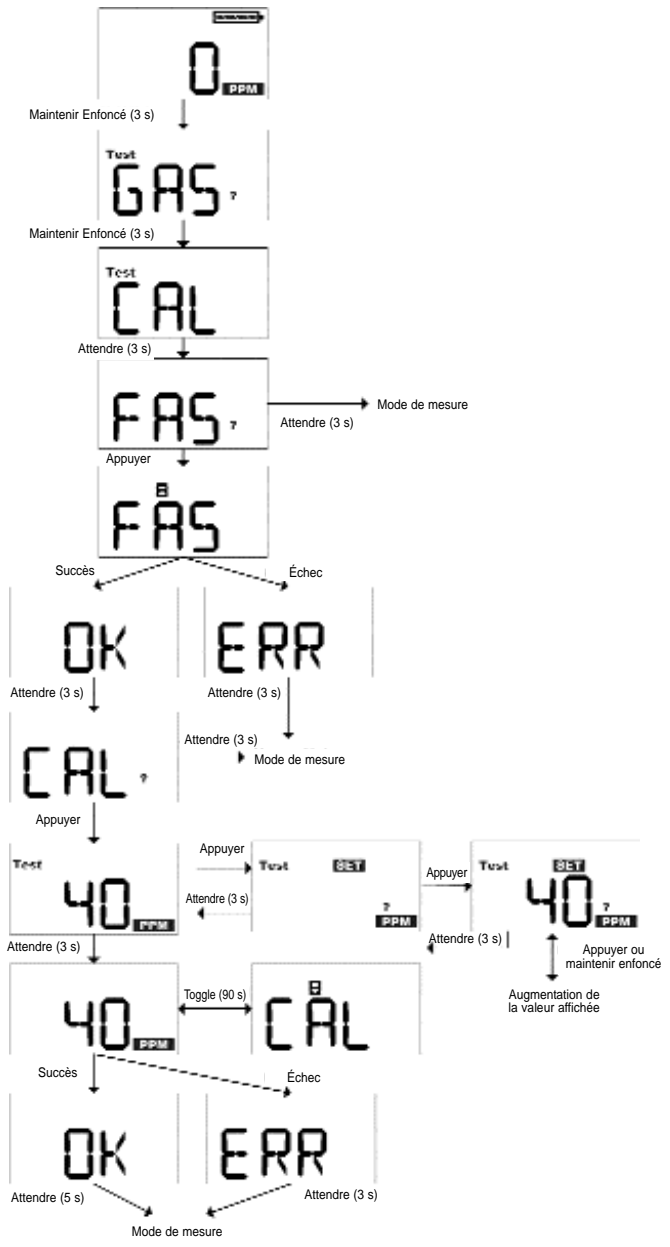


Figure 4-1. Diagramme de calibration (gaz toxiques)

- la bonbonne de calibrage correspond bien à la valeur de calibrage attendue.
 - la bonbonne de calibrage n'est pas vide ou obsolète.
 - le débit du régulateur est de 0,25 l/min.
 - le tube de gaz est installé dans l'étui avant de l'instrument pendant le calibrage.
 - Si nécessaire, répétez les étapes 1 à 6.
 - Le mot OK doit apparaître à l'écran. Si ERR reste affiché, mettez l'appareil hors service.
- d. Effectuez un Bump test pour vérifier le bon fonctionnement du détecteur et activer le symbole √.

Calibrage de détection d'oxygène

- De fausses alarmes à oxygène peuvent se produire à la suite de changements dans la pression barométrique (altitude) ou de variations importantes de la température ambiante.
- Le détecteur ALTAIR Pro est muni d'une fonction permettant son calibrage à la pression et/ou à la température d'emploi.
- Avant le calibrage, assurez-vous que l'instrument se trouve dans de l'air frais non contaminé.

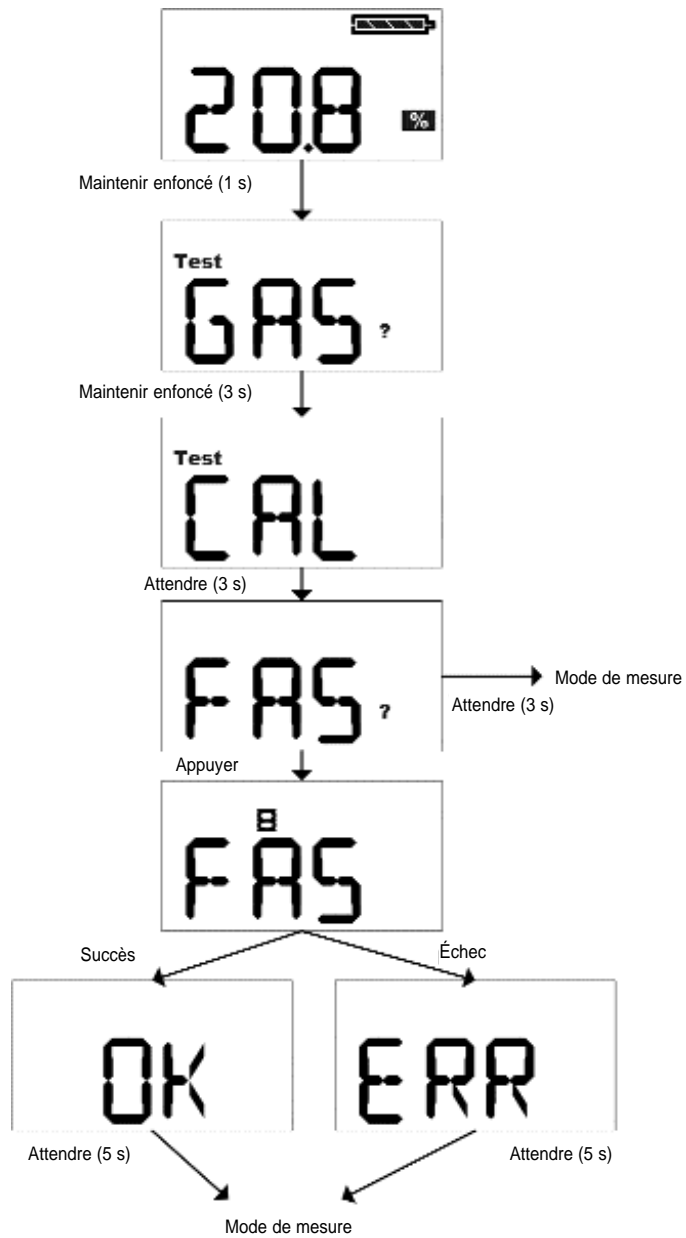
Avant de passer en mode de calibrage, assurez-vous que vous vous trouvez dans de l'air frais non contaminé.

1. En mode de fonctionnement normal, appuyez sur le bouton TEST pendant deux secondes.
 - Voir la figure 4-2 pour plus de détails.
2. Lorsque le message TEST GAS ? est affiché, appuyez sur le bouton TEST pour passer en mode de calibrage.
 - Le message TEST CAL apparaît.
 - Après trois secondes, le message FAS ? demande à l'utilisateur de confirmer qu'un calibrage et réglage à l'air frais est désiré.
3. Appuyez sur le bouton TEST pendant l'affichage de « FAS ? » afin d'effectuer un calibrage à 20,8 % O₂.

REMARQUE : Cette opération doit être réalisée dans de l'air frais non contaminé. Ne respirez pas devant le capteur.

- Si le calibrage est effectué sans problème :
 - le message OK est affiché.
- Si le calibrage échoue :
 - le mot ERR est affiché.

4. Attendez 5 secondes.
 - L'instrument revient en mode de fonctionnement normal.
5. Si le message ERR est affiché en fin de calibrage, le réglage de départ reste inchangé. Vérifiez immédiatement que :
 - l'instrument se trouve dans de l'air frais non contaminé pendant calibrage.
 - personne ne respire devant le capteur pendant le calibrage.
 - Si nécessaire, répétez les étapes 1 à 6.
6. Le mot OK doit apparaître à l'écran. Si ERR reste affiché, mettez l'instrument hors service.
7. Effectuez un Bump test pour vérifier le bon fonctionnement du détecteur et activer le symbole √.



Chapitre 5, Garantie, entretien et dépannage

Garantie d'appareil portatif MSA

1. Garantie - MSA garantit que ce produit sera sans défaut de pièce ou de fabrication pour une période de deux (2) ans à partir de la date de première utilisation, à condition qu'il soit entretenu et utilisé conformément aux instructions et/ou recommandations de MSA. La garantie ne peut dépasser deux ans et six mois à compter de la date de fabrication. La pile de l'instrument n'est pas couverte par la garantie. Les capteurs de l'instrument sont garantis pour la période décrite dans le tableau ci-dessous.

CAPTEURS	PERIODE DE GARANTIE
CO, CO Incendie, CO Acier, H ₂ S, O ₂ , O ₂ -R	30 mois à compter de la date de fabrication ou 24 mois à compter de la date de première utilisation, selon la première échéance.
SO ₂ , NO ₂ , NH ₃ , PH ₃ , HCN, Cl ₂ , ClO ₂	18 mois à compter de la date de fabrication ou 12 mois à compter de la date de première utilisation, selon la première échéance.

MSA est libéré de toutes obligations au titre de la présente garantie lorsque des réparations ou des modifications sont effectuées par des personnes autres que son propre personnel ou des techniciens agréés, ou si le recours en garantie découle d'une utilisation ou manipulation abusive du produit. Aucun agent, employé ou représentant de MSA ne dispose de l'autorité nécessaire pour engager MSA à une déclaration, représentation ou garantie sur les produits vendus sous ce contrat. CETTE GARANTIE ANNULE ET REMPLACE TOUTE AUTRE GARANTIE, EXPRESSE, IMPLICITE OU STATUTAIRE, ET EST STRICTEMENT LIMITÉE À CES TERMES. LE VENDEUR REJETTE EXPLICITEMENT TOUTE GARANTIE DE QUALITE MARCHANDE OU D'ADEQUATION A UN OBJET PARTICULIER.

2. Remède exclusif – Il est expressément convenu que le seul et unique remède de l'Acheteur en cas d'infraction de la garantie ci-dessus, à la suite d'un acte délictuel de MSA, ou pour tout autre cause de réclamation, sera la réparation et/ou le remplacement à l'option de MSA, de tout appareil ou pièce d'appareil, qui, après examen par MSA, se seront révélés défectueux. L'appareil et/ou les pièces de rechange seront fournis sans frais à l'Acheteur, franco de port à l'usine de MSA. Le fait par MSA de ne pas réussir à réparer un produit non conforme n'entraîne pas un manquement à l'objet essentiel du remède établi par la présente.

3. **Exclusion des dommages indirects – L’Acheteur spécifiquement comprend et convient que MSA ne sera en aucune circonstance responsable vis-à-vis de l’Acheteur des pertes et dommages économiques, spéciaux, incidents ou accessoires de quelque sorte qu’ils soient, y compris, entre autres, la perte de profits anticipés et toute autre perte entraînée par le non fonctionnement des marchandises. Cette exclusion est applicable aux réclamations pour infraction à la garantie, acte délictuel ou toute autre cause de réclamation.**

En cas de problème

Le détecteur mono-gaz ALTAIR Pro fonctionne sans problème lorsqu’il est manipulé convenablement. Si l’instrument tombe en panne, suivez les instructions du tableau 5-1, concernant les causes de panne les plus fréquentes. Vous pouvez renvoyer à MSA les instruments en panne encore sous garantie :

- **MSA Instrument Division
Repair and Service Department
1000 Cranberry Woods Drive
Cranberry Township, PA 16066-5207
États-Unis
1-800-MSA-INST**

Pour contacter MSA International, veuillez appeler le :

- **1-412-967-3000 ou 1-800-MSA-7777**



⚠ AVERTISSEMENT

Toute modification du détecteur mono-gaz ALTAIR Pro au-delà des procédures décrites dans ce mode d’emploi, ou par une personne non agréée par MSA, risque de nuire au bon fonctionnement de cet appareil. Utilisez uniquement des pièces de rechange MSA lorsque vous effectuez les travaux d’entretien décrits dans ce manuel. Le choix d’autres composants risque de nuire au bon fonctionnement de l’appareil, de modifier ses caractéristiques de sécurité ou d’invalider son homologation.

LE FAIT DE NE PAS TENIR COMPTE DE CET AVERTISSEMENT RISQUE D’ENTRAÎNER DES BLESSURES GRAVES OU MORTELLES.

- L'appareil affiche un code d'erreur lorsqu'il détecte un problème à l'allumage ou en cours de fonctionnement. Voir le tableau 5-1 pour une courte description des messages d'erreur et des mesures recommandées.
- Lorsque vous identifiez l'origine d'une panne selon les instructions de MSA, consultez les procédures de réparation ci-après pour voir si la pièce fautive est remplaçable.

Tableau 5-1. Instructions de dépannage

PROBLÈME	DESCRIPTION	CE QUE VOUS DEVEZ FAIRE
L'ÉCRAN AFFICHE, EN ALTERNANCE :		
TMP/ERR	Température hors plage	Contactez MSA pendant la période de garantie.
AD/ERR	Erreur de signal du capteur	Contactez MSA pendant la période de garantie.
EE/ERR	EEPROM en panne	Contactez MSA pendant la période de garantie.
PRG/ERR	Mémoire programme en panne	Contactez MSA pendant la période de garantie.
RAM/ERR	RAM en panne	Contactez MSA pendant la période de garantie.
LED/ERR	Voyant en panne	Vérifiez le fonctionnement des deux voyants d'alarme.
VIB/ERR	Vibreux en panne	Vérifiez le fonctionnement du vibreur d'alarme.
UNK/ERR	Erreur d'origine inconnue	Contactez MSA pendant la période de garantie.
UND/ERR	Capteur hors limite inférieure de la plage	Calibrez l'instrument.
	L'indicateur d'avertissement de pile déchargée s'allume et émet un bip sonore toutes les 30 secondes.	Mettez l'instrument hors service aussi vite que possible et remplacez la pile.
 /ERR	Symbole d'alarme de pile déchargée (la sonnerie et les voyants se déclenchent)	L'instrument ne détecte plus les gaz. Mettez-le hors service et remplacez la pile.
SNS/ERR	Erreur de capteur	Calibrez l'instrument. Si le calibrage échoue, remplacez le capteur.
L'instrument ne s'allume pas	Pile déchargée	Remplacez la pile.

Procédures de réparation

MISE EN GARDE

Avant de manipuler la carte des circuits imprimés, assurez-vous d'être mis à la terre ; une décharge d'électricité statique venant de votre corps risquerait autrement d'endommager les composants électroniques. Ce type de dégât n'est pas couvert par la garantie. Des courroies et des kits de mise à la terre sont vendus par les fournisseurs de produits électroniques.

Remplacement de la pile ALTAIR Pro

1. Enlevez les quatre vis d'assemblage des deux moitiés du boîtier après avoir éteint l'instrument (sauf version aciérie).
2. Retirez avec précaution le couvercle avant pour exposer la pile.
 - La carte des circuits imprimés restera dans l'autre moitié du boîtier.
 - Ne touchez pas les connexions de l'écran (deux connecteurs bleus).
3. Enlevez la pile épuisée et remplacez-la par la pile spécifiée dans le TABLEAU 6-2.
 - Respectez la polarité indiquée sur le support.
4. Remettez le couvercle en vérifiant que le capteur, la garniture de la sonnerie et la garniture du capteur sont installés correctement. Dans le cas de la version O₂ à distance, alignez les broches du capteur du boîtier avant avec les prises du circuit imprimé du boîtier arrière.
5. Assurez-vous que l'interface et les connecteurs de l'écran sont propres.
 - Si nécessaire, nettoyez les connecteurs de l'écran avec un chiffon doux ne peluchant pas.
6. Remettez les quatre vis.

REMARQUES :

- Le remplacement de la pile risque d'introduire une discontinuité dans le journal des données.
- Après avoir changé les piles, vérifiez l'heure et la date sur votre ordinateur via le mode IR et le logiciel FiveStar Link. Voir le chapitre 2 pour plus de détails sur l'accès au mode IR. Une fois que l'instrument communique via IR et le logiciel FiveStar Link, son horloge se synchronise automatiquement avec celle de l'ordinateur.

- L'heure et la date sont basées sur celles de l'ordinateur. Vérifiez que l'horloge de celui-ci est bien réglée avant de communiquer avec l'instrument.

⚠ MISE EN GARDE

Pour ne pas endommager le boîtier, ne serrez pas trop les vis.

Remplacement du capteur ALTAIR Pro (sauf version O₂ à distance)

1. Enlevez les quatre vis d'assemblage des deux moitiés du boîtier après avoir éteint l'instrument (sauf version aciérie).
2. Dans le cas de la version aciérie seulement, enlevez la pile avant de remplacer le capteur.
3. Enlevez le couvercle avant avec précaution pour exposer le capteur (situé en haut de l'instrument, près des voyants d'alarme).
4. Enlevez le capteur de ses prises.
5. Installez le nouveau capteur dans les prises du circuit imprimé (le capteur ne peut être installé que d'une seule façon). Si le capteur de rechange est muni d'une pince de court-circuit, celle-ci doit être retirée avant d'installer le capteur sur l'instrument. Enfoncez complètement le capteur contre la carte.
6. Remettez le couvercle en vérifiant que le capteur, la garniture de la sonnerie et la garniture du capteur sont installés correctement.
7. Assurez-vous que l'interface et les connecteurs de l'écran sont propres.
 - Si nécessaire, nettoyez les connecteurs de l'écran avec un chiffon doux ne peluchant pas.
8. Remettez les quatre vis.

⚠ MISE EN GARDE

Pour ne pas endommager le boîtier, ne serrez pas trop les vis.

9. L'instrument DOIT être calibré comme expliqué précédemment. Avant de calibrer, attendez 60 minutes que le nouveau capteur ait atteint un équilibre.

⚠ MISE EN GARDE

Pour que le détecteur fonctionne correctement, le capteur de rechange doit porter la même référence et être du même type que celui remplacé.

⚠ AVERTISSEMENT

L'appareil doit être recalibré chaque fois que le capteur est remplacé ; sinon, il ne fonctionnera pas comme prévu et les personnes se reposant sur ses relevés pour leur sécurité risquent de subir des blessures graves ou mortelles

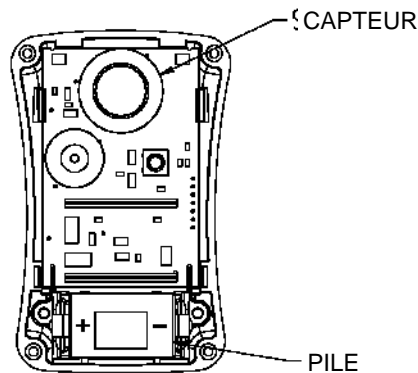


Figure 5-1. Remplacement du capteur et de la pile

Remplacement du capteur O₂ à distance ALTAIR Pro

1. Vérifiez que l'instrument est éteint.
2. Retirez le capteur du câble en dévissant la pièce de fixation.
3. Fixez le nouveau capteur sur le câble et assurez-vous que la pièce de fixation est bien serrée et que le joint torique (réf. 635511) est installé sur la prise du câble avant mise en place dans le capteur.
4. L'instrument DOIT être calibré comme expliqué précédemment. Avant de calibrer, attendez 60 minutes que le nouveau capteur ait atteint un équilibre.

MISE EN GARDE

Pour que le détecteur fonctionne correctement, le capteur de rechange doit porter la même référence et être du même type que celui remplacé.

AVERTISSEMENT

L'appareil doit être recalibré chaque fois que le capteur est remplacé ; sinon, il ne fonctionnera pas comme prévu et les personnes se reposant sur ses relevés pour leur sécurité risquent de subir des blessures graves ou mortelles.

Conditions à respecter pour un fonctionnement sans danger :

- Servez-vous d'une pile lithium telle que celles listées dans le tableau 6.2.
- La longueur maximale du câble de connexion du capteur ne doit pas dépasser 3,3 mètres.

Chapitre 6, Performances nominales

Tableau 6-1. Homologations

LIEUX DANGEREUX	US Exia 	Classe I groupes A, B, C et D T_{amb} , -20 °C à +50 °C Code température T4
	CANADA 	Exia Classe I groupes A, B, C et D T_{amb} , -20 °C à +50 °C Code température T4
	AUSTRALIE	Ex ia IIC T4 (T_{amb} , 50 °C)
	EUROPE 	II 2G EEx ia IIC T4 $-20\text{ °C} \leq T_{amb} \leq +50\text{ °C}$
IEC		Ex ia IIC T4 $-20\text{ °C} \leq T_{amb} \leq +50\text{ °C}$
EMC/RFI	EUROPE 	89/336/EEC
BOÎTIER		IP 67 (la version O ₂ à distance est classée IP 54)
DIRECTIVES EUROPÉENNES APPLICABLES	EUROPE	ATEX : 94/9/EC EMC : 89/336/EEC LVD : 73/23/EEC

Conditions à respecter pour un fonctionnement sans danger :

- Servez-vous d'une pile lithium telle que celles listées dans le tableau 6.2.
- La longueur maximale du câble de connexion du capteur ne doit pas dépasser 3,3 mètres.

Tableau 6-2. Caractéristiques techniques de l'appareil

PLAGE DE TEMPÉRATURE DE FONCTIONNEMENT	-20 à 50 °C (-4 à +122 °F) (NH ₃ , ClO ₂ : -20 à 50 °C (-4 à +122 °F)) Version O ₂ -R : 0 à 40 °C (32 à 104 °F)							
HUMIDITÉ	10 à 95 % HR, sans condensation							
PROTECTION CONTRE LA PÉNÉTRATION DES LIQUIDES	IP67 (la version O ₂ à distance est classée IP 54)							
RECOMMANDATIONS D'ENTREPOSSAGE	0 à 40 °C (32 à 104 °F)							
GARANTIE	Voir Chapitre 5.							
SONNERIE D'ALARME	95 dB (typique)							
TAILLE APPROXIMATIVE	8,6 x 5,1 x 2,5 cm (h x l x p) (3,4 x 2 x 1 po)							
POIDS	113 g (4 oz)							
CAPTEUR	Capteurs électrochimiques							
PILE	Lithium, CR2, non-rechargeable : Remplacez uniquement par une pile Energizer CR2 EL1CR2BP, Panasonic CR-2PA/1B, Varta CR2 6206 ou Varta (Power One) CR2 CR15H270, 6206							
SEUILS D'ALARME RÉGLÉS EN USINE*								
	ALARME BASSE* (PPM)	ALARME HAUTE* (PPM)	ALARME STEEL* (PPM)	TWA* (PPM)	ALARME MIN	ALARME MAX	DUREE FAS (SEC)	DUREE CAL/SPAN (SEC)
CO & CO INCENDIE	25	100	100	25	20	1450	<15	90
CO ACIER	75	200	200	75	20	1450	<15	90
H₂S	10	15	15	10	5	175	<15	90
O₂	19.5%	23.0%	--	--	5.0	24	<15	90
SO₂	2.0	5.0	5.0	2.0	2.0	17.5	<15	90
NO₂	2.0	5.0	5.0	2.0	2.0	17.5	<15	240
NH₃	25	50	35	25	15	75	<15	180
PH₃	0.3	1.0	1.0	0.3	0.3	3.75	<15	90
HCN	4.5	10.0	10.0	4.5	4.5	20.0	<15	240
Cl₂	0.5	1.0	1.0	0.5	0.5	17.5	<15	240
ClO₂	0.10	0.30	0.30	0.10	0.10	0.75	<15	360
REMARQUE : Cet instrument n'a pas été classé pour utilisation dans des atmosphères contenant plus de 21 % d'oxygène.								
*D'autres seuils disponibles sur demande ou à tout moment via le logiciel FiveStar Link de MSA.								

Tableau 6-3. Oxygène - Performances nominales typiques

PLAGE	0-25 % O ₂ (oxygène et oxygène-R)
RÉSOLUTION	0,1 % O ₂
RÉPRODUCTIBILITÉ	0,7 % O ₂ pour 2-25 % O ₂ *
TEMPS DE RÉPONSE	90 % du relevé final en 30 secondes (dans la plage de température normale*). trois minutes (plage de température étendue**)

* plage de température normale : entre 0 et 40 °C

** plage de température étendue : entre - 20 et 0 °C et entre 40 et 50 °C

Tableau 6-4. Gaz toxiques - Performances nominales

CAPTEUR	CO ou CO ACIER (monoxyde de carbone)
PLAGE	0-1500 ppm
RÉSOLUTION	1 ppm
RÉPRODUCTIBILITÉ	±5 ppm ou 10% du relevé, selon la valeur la plus élevée (plage de température normale*) ±10 ppm CO ou 20 % du relevé, selon la valeur la plus élevée (plage de température étendue**)
TEMPS DE RÉPONSE	90 % du relevé final en 60 secondes (dans la plage de température normale*).
CAPTEUR	H ₂ S (sulfure d'hydrogène)
PLAGE	0-200 ppm
RÉSOLUTION	1 ppm
RÉPRODUCTIBILITÉ	+2 ppm ou 10% du relevé, selon la valeur la plus élevée (plage de température normale*) +5 ppm CO ou 20 % du relevé, selon la valeur la plus élevée (plage de température étendue**)
TEMPS DE RÉPONSE	90 % du relevé final (dans la plage de température normale*)
CAPTEUR	SO ₂ (anhydride sulfureux)
PLAGE	0-20.0 ppm
RÉSOLUTION	0.1 ppm
CAPTEUR	NO ₂ (dioxyde d'azote)
PLAGE	0-20.0 ppm
RÉSOLUTION	0.1 ppm
CAPTEUR	NH ₃ (ammoniac)
PLAGE	0-100 ppm
RÉSOLUTION	1 ppm
CAPTEUR	PH ₃ (hydrogène phosphoré)
PLAGE	0-5.0 ppm

RÉSOLUTION	0.05 ppm
CAPTEUR	HCN (Acide cyanhydrique)
PLAGE	0-30.0 ppm
RÉSOLUTION	0.05ppm
CAPTEUR	Cl ₂ (chlore)
PLAGE	0-20.0 ppm
RÉSOLUTION	0.1 ppm
CAPTEUR	ClO ₂ (bioxyde de chlore)
PLAGE	0-1.00 ppm
RÉSOLUTION	0.02 ppm

* plage de température normale : entre 0 et 40 °C

** plage de température étendue : entre - 20 et 0 °C et entre 40 et 50 °C (seul NH₃ et ClO₂ : -20 a 0 °C)

Tableau 6-5: Caractères techniques d'enregistrement des données

JOURNAL DES DONNÉES DE SESSION	NOMBRE D'ÉVÈNEMENTS PARTAGÉS	50 (les plus récents)
	MÉTHODE DE TRANSMISSION DES DONNÉES	Via adaptateur infra-rouge MSA sur ordinateur équipé du logiciel MSA FiveStar Link; version 4,5 et suivantes
	INFORMATIONS DU JOURNAL DES ÉVÈNEMENTS	Alarme - Type d'alarme - Valeur d'alarme - Heure/date Effacement de l'alarme - Type d'alarme - Valeur d'alarme - Heure/date Cal (réussite/échec) - Heure/date Bump test (réussite/échec) - Heure/date Erreur non fatale - Type d'erreur (voir liste) - Heure/date Marche/arrêt -heure/date
	HEURE DE TRANSMISSION	En général moins de 60 s max.
JOURNAL DES DONNÉES PÉRIODIQUES	INTERVALLE D'ENREGISTREMENT PAR DÉFAUT	Maxima de 3 minutes (configurable par ordinateur sur des pics multiples entre 15 s et 15 min ou un pic moyen d'une minute)
	STOCKAGE ESTIMÉ	En général supérieur à 100 heures avec intervalle par défaut (la durée de stockage varie selon l'intervalle et l'activité du capteur)
	HEURE DE TRANSMISSION	En général moins de 3 minutes

Chapitre 7, Pièces de rechange et accessoires

Tableau-7-1. Liste des pièces de rechange

PIÈCE/COMPOSANT	RÉF.
Bonbonne de 60 ppm CO (réglage usine, gaz de calibration)	710882
Bonbonne de 300 ppm CO RP (réglage usine, gaz de calibration)	473180
Bonbonne de 40 ppm H ₂ S, RP (réglage usine, gaz de calibration)	467897
Bonbonne de 40 ppm H ₂ S, Econocal	711062
Bonbonne de 10 ppm NO ₂ , Econocal	711068
Bonbonne de 10 ppm NO ₂ , RP	808977
Bonbonne de 10 ppm SO ₂ , Econocal	711070
Bonbonne de 10 ppm SO ₂ , RP	808978
Bonbonne de 25 ppm NH ₃ , Econocal	711078
Bonbonne de 25 ppm NH ₃ , RP	814866
Bonbonne de 10 ppm Cl ₂ , Econocal	711066
Bonbonne de 10 ppm Cl ₂ , RP	806740
Bonbonne de 2 ppm Cl ₂ , Econocal	711082
Bonbonne de 2 ppm Cl ₂ , RP	10028080
Bonbonne de 10 ppm HCN, Econocal	711072
Bonbonne de 10 ppm HCN, RP	809351
Bonbonne de 0.5 ppm PH ₃ , Econocal	711088
Bonbonne de 0.5 ppm PH ₃ , RP	710533
Régulateur de 0,25 l/min de débit	467895
Régulateur de 0,25 l/min, combiné	711175
Tube de 40 cm (16 po) (ne pas utiliser pour NH ₃ , Cl ₂ ou ClO ₂)	10030325
Tube de 40 cm (16 po) Tygon (utiliser pour NH ₃ , Cl ₂ , ClO ₂ seul)	10080534
Attache type bretelle, noire	10040002
Attache type bretelle, acier inoxydable	10069894
Attache de ceinture téléphone portable	10041105
Kit lanière	10041107
FiveStar Link avec IR (option enregistrement des événements)	710946

Garniture de capteur	10071375
Garniture de sonnerie	10067102
Pile - CR2	10074132
Vis de boîtier	636267
Agrafe pour casque	10073346
Boîtier avant de rechange avec garnitures (sans étiquette)	10075629
Étiquette de boîtier avant, O ₂	10068694
Étiquette de boîtier avant, H ₂ S	10068696
Étiquette de boîtier avant, CO	10068695
Étiquette de boîtier avant, CO Acier	10074153
Étiquette de boîtier avant, CO Incendie	10074154
Étiquette de boîtier avant, NO ₂	10068699
Étiquette de boîtier avant, SO ₂	10068702
Étiquette de boîtier avant, NH ₃	10068700
Étiquette de boîtier avant, Cl ₂	10068697
Étiquette de boîtier avant, ClO ₂	10068698
Étiquette de boîtier avant, HCN	10068701
Étiquette de boîtier avant, PH ₃	10068703
Étiquette de boîtier avant, version O ₂ à distance	10068693
Boîtier avant de rechange avec garnitures version O ₂ à distance	10078275
Capteur à CO pour aciérie, résistant à H ₂	10080219
Capteur à CO (monoxyde de carbone)	711306
Capteur à H ₂ S (sulfure d'hydrogène)	711307
Capteur à O ₂ (oxygène)	10046946
Capteur à HCN (acide cyanhydrique)	10080220
Capteur à Cl ₂ (chlore)	10080221
Capteur à SO ₂ (anhydride sulfureux)	10080223
Capteur à NO ₂ (dioxyde d'azote)	10080224
Capteur à NH ₃ (ammoniac)	10080225
Capteur à PH ₃ (hydrogène phosphoré)	10080226
Capteur à O ₂ , version à distance	10016798
Capteur à ClO ₂ (bioxyde de chlore)	10080222
Câble, 3 mètres, version O ₂ à distance	10080493
Joint torique (deux sont requis pour le câble de la version O ₂ à distance)	635511